



Fire Your Imagination

Studio

Balanced Flue with Thermostatic Remote Control



Instructions for Use, Installation & Servicing

For use in GB & IE (Great Britain & Republic of Ireland).

IMPORTANT

THE OUTER CASING, FRONT AND GLASS PANEL BECOME EXTREMELY HOT DURING OPERATION AND WILL RESULT IN SERIOUS INJURY AND BURNS IF TOUCHED. IT IS THEREFORE RECOMMENDED THAT A FIREGUARD COMPLYING WITH BS 8423 (LATEST EDITION) IS USED IN THE PRESENCE OF YOUNG CHILDREN, THE ELDERLY OR INFIRM.

This product contains a heat resistant glass panel. This panel should be checked during Installation and at each servicing interval. If any damage is observed on the front face of the glass panel (scratches, scores, cracks or other surface defects), the glass panel must be replaced and the appliance must not be used until a replacement is installed. Under no circumstances should the appliance be used if any damage is observed, the glass panel is removed or broken.

These Instructions must be left with the appliance for future reference and for consultation when servicing the appliance. Please make the customer aware of the correct operation of the appliance before leaving these instructions with them.

The commissioning sheet found on Page 3 of this Instruction manual must be completed by the Installer prior to leaving the premises.

Contents

Studio Balanced Flue

Covering the following models:

GAS TYPE	STUDIO 1	STUDIO 2	STUDIO 3
Natural Gas	123-024	123-030	123-043
LPG	123-629	123-653	123-666

Appliance Commissioning Checklist	3
User Instructions	4
Installation Instructions	9
Technical Specifications	9
Site Requirements	12
Installation	16
Commissioning	43
Servicing Instructions.....	44
Fault Finding.....	44
How To replace Parts	46
Basic Spare Parts List - Studio 1	54
Basic Spare Parts List - Studio 2	55
Basic Spare Parts List - Studio 3	56
Service Records	58
Information Requirements.....	59



If you have purchased your stove or fire from an authorised stockist within our Expert Retailer Network, then automatically your product will carry a 2 year warranty as standard. The 2 year warranty can be further extended to a total warranty period of 5 years by registering your Gazco Stove or Fireplace within one month of the latter of the purchase date or installation date. Accordingly, the start date for the warranty period is the date of purchase. During the registration process, the Expert Retailer details will be required for your Extended Warranty to be activated. Any product purchased outside of our Expert Retailer Network will carry a standard 12 month, non-extendable warranty.

It is a condition of the Extended Warranty that the installation complies with the relevant Building Regulations and is carried out by a suitably trained and qualified individual (GasSafe in the UK or equivalent in other countries) with the certificate of installation and the Commissioning Report on Page 3 completed and retained by the end user.

Full terms and conditions are detailed in the Warranty Statement on the Gazco website www.gazco.com. In the event of any conflict of information the wording on the website shall prevail.

Important Note: Should any problems be experienced with your product, claims must first be submitted to the Expert Retailer where the appliance was purchased from who will offer immediate assistance or contact Gazco on your behalf.



It is a requirement of the Building Regulations 2010 that the installation of this appliance is notified to the Local Authority. It is the responsibility of the GasSafe registered installer to carry out this notification to the Local Authority via the GasSafe register Competent Persons Scheme in England and Wales (different rules apply in Scotland and Northern Ireland).

When the installation has been notified, GasSafe will send a Building Regulations Compliance Certificate to you containing details of the work completed. Please ensure that the person responsible for the installation of this appliance completes this notification and records it in the Appliance Commissioning Checklist on page 3.

IT IS YOUR RESPONSIBILITY TO COMPLY WITH THE BUILDING REGULATIONS AND BE ABLE TO PRODUCE THIS CERTIFICATE SHOULD IT BE REQUIRED IN THE FUTURE.

Appliance Commissioning Checklist

To assist us in any guarantee claim please complete the following information:-

IMPORTANT NOTICE

Explain the operation of the appliance to the end user, hand the completed instructions to them for safe keeping, as the information will be required when making any guaranteed claims.

FLUE CHECK	PASS	FAIL
1. Flue Is correct for appliance		
2. Flue flow Test N/A		
3. Spillage Test N/A		
GAS CHECK	PASS	FAIL
1. Gas soundness & let by test		
2. Standing gas pressure	mb	
3. Appliance working pressure (on High Setting) Minimum Pressure Requirement: NG - 17.5mbar LPG - 34.5mbar NB All other gas appliances must be operating on full	mb	
4. Gas rate	m ³ /h	
5. Does Ventilation meet appliance requirements N/A		
SAFETY CHECK		
1. Check soundness of the Thermocouple connections - including tightness and lead integrity		
2. Glass checked to ensure no damage, scratches, scores or cracks		
BUILDING CONTROL NOTIFICATION	YES	NO
1. Installer notified GasSafe/Local Authority of installation via Competent Persons Scheme?		

RETAILER AND INSTALLER INFORMATION

Retailer	Installation Company
.....
.....
Contact No.	Engineer
Date of Purchase	Contact No.
Model No.	GasSafe Reg No.
Serial No.	Date of Installation
Gas Type	

User Instructions

Welcome

Congratulations on purchasing your Studio fire, if installed correctly Gazco hope it will give you many years of warmth and pleasure for which it was designed.

The purpose of this manual is to familiarise you with your appliance and give guidelines for its installation, operation and maintenance. If, after reading, you need further information, please do not hesitate to contact your Gazco retailer.

WARNING



In the event of a gas escape or if you can smell gas, please take the following steps:

- Immediately turn off the gas supply at the meter/emergency control valve
- Extinguish all sources of ignition
- Do not smoke
- Do not operate any electrical light or power switches (On or Off)
- Ventilate the building(s) by opening doors and windows
- Ensure access to the premises can be made

Please report the incident immediately to the National Gas Emergency Service Call Centre on 0800 111 999 (England, Scotland and Wales) , 0800 002 001 (N. Ireland) or in the case of LPG, the gas supplier whose details can be found on the bulk storage vessel or cylinder.

The gas supply must not be used until remedial action has been taken to correct the defect and the installation has been recommissioned by a competent person.

1. General

- 1.1 Installation and servicing must only be carried out by a competent person whose name appears on the GasSafe register. To ensure the engineer is registered with GasSafe they should possess an ID Card carrying the following logo:



- 1.2 In all correspondence, please quote the appliance type and serial number, which can be found on the data badge located on a plate under the Main Burner.
- 1.3 **Do not** place curtains above the appliance: You must have 300mm clearance between the appliance and any curtains at either side.
- 1.4 No furnishings or other objects should be placed within 1 metre of the front of the appliance.
- 1.5 If a shelf is fitted, a distance of 400mm above the appliance is required.
- 1.6 If any cracks appear in the glass panel do not use the appliance until the panel has been replaced.
- 1.7 Do not obstruct the flue terminal in any way, i.e. by planting flowers, trees, shrubs etc. in the near vicinity, or by leaning objects against the terminal guard.
- 1.8 Do not put any objects on the terminal guard; it will lose its shape.
- 1.9 If you use a garden sprinkler, do not let quantities of water into the flue terminal.
- 1.10 This product is guaranteed for 5 years from the date of installation, as set out in the terms and conditions of sale between Gazco and your local Gazco retailer. Please consult with your local Gazco retailer if you have any questions. In all correspondence always quote the Model Number and Serial Number.

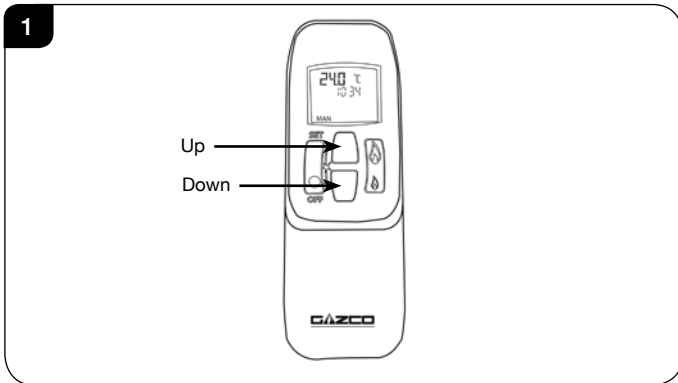


IMPORTANT: NEVER position a television or screen above this appliance.

User Instructions

2. Operating the Appliance

The appliance is operated by thermostatic remote control.



2.1 Turning the appliance On:

Your remote can control the gas fire from pilot ignition through to shut down.

To turn the fire on press the OFF button and the UP button simultaneously. You hear several short signals.

The pilot and main burner ignite and the remote is now in Manual Mode.

IMPORTANT: YELLOW FLAMES TYPICALLY APPEAR WHEN THE APPLIANCE HAS REACHED NORMAL OPERATING TEMPERATURE. THIS CAN TAKE UP TO 30 MINUTES.

WARNING: IF THE APPLIANCE FAILS TO LIGHT OR BECOMES EXTINGUISHED IN USE, WAIT 3 MINUTES BEFORE ATTEMPTING TO RELIGHT.

2.2 There are 3 different modes available for controlling and operating the appliance:

1. Manual Mode.
2. Temp Mode (Automatic).
3. Timer Mode (Automatic).

2.3 In **MANUAL MODE** you can:

- turn on the main burner using the UP button.
- regulate the flame from high to low and back.
- turn off the burner leaving just the pilot burning.

In **TEMP MODE (Automatic)** you can:

- set the room temperature so the thermostat in the remote automatically maintains that temperature.

In **TIMER MODE (Automatic)** the fire:

- turns on and off according to the set time periods.
- automatically regulates the room temperature during the set periods.

NOTE: When operating the fire in Temp or Timer mode, the pilot remains lit and the fire then automatically switches on at programmed times to bring the room to the set temperature whether or not you are in the room. NEVER LEAVE ANY COMBUSTIBLE MATERIALS WITHIN 1 METRE OF THE FRONT OF THE APPLIANCE.

Switching Between Modes

- 2.4 Press the SET button to change to Temperature Mode. Press again to change to Timer Mode. Keep pressing to run through all operating modes. These are:
- MAN
 - DAY TEMP
 - NIGHT TEMP
 - TIMER
- and back to MAN

NOTE: MAN mode can also be reached by pressing either the UP or DOWN button.

Manual Mode

- 2.5 Press the OFF button and the UP button simultaneously. You hear several clicks and audible beeps as the fire begins the ignition process, (up to 30 seconds).

Turning the appliance Off:

Press the OFF button to turn the appliance off.

FOR SAFETY, YOU MUST WAIT 30 SECONDS BEFORE LIGHTING THE FIRE AGAIN.

Increasing the Flame Height:

Press the UP button once to increase flame height one stage. Press and hold the UP button to increase to maximum.

Decreasing the Flame Height:

Press the DOWN button once to decrease flame height one stage. Press and hold the DOWN button to decrease to minimum. At the lowest point the fire goes to 'Standby Mode' (Only Pilot lit).

NOTE: While pressing a button a symbol indicating transmission appears on the display. The receiver confirms transmission with a sound signal.

Temp Mode (Automatic)

- 2.6 The display shows the current **room** temperature.

To increase or decrease the fire's output:

Press the SET button to select either the DAY TEMP or the NIGHT TEMP mode by briefly pressing the SET button.

Hold the SET button until the TEMP display flashes and then let go.

Set the desired temperature with the UP and DOWN arrows. (Minimum temperature 5C, maximum 40C or 40F when Fahrenheit is the preferred option).

Press the OFF button to stop the display flashing or wait to return to TEMP mode.

User Instructions

i **NOTE:** If you set a temperature that is beneath the current room temperature, the fire automatically switches to PILOT (Stand by).

If you would like the **Night** temperature control to turn off then decrease the temperature until [--] is displayed.

Timer Mode (Automatic)

2.7 There are two programmable settings you can make over a 24 hour period, P1 and P2. These are normally used to provide an early morning and evening setting for each working week:

- P1 + ● = Start Timed Setting 1
- P1 + ⤴ = End of Timed Setting 1
- P2 + ● = Start Timed Setting 2
- P2 + ⤴ = End of Timed Setting 2

2.8 P1 - Program 1 for a Timed Setting

Press the SET button until the TIMER mode is displayed.

Hold the SET button. The displays flashes the current time for P1. **While the time displayed is flashing you can alter the hours and minutes set.**

To set the time your fire first lights, change P1 ● :
 – Press the UP button to alter the hour.
 – Press the DOWN button to alter the minutes in 10 minute increments.

Press SET again to move to the end setting for P1 ⤴ This is the time your Studio first shuts down:
 – Press the UP button to alter the hour.
 – Press the DOWN button to alter the minutes.

2.9 P2 - Program 2 for a Timed Setting

Use the same steps outlined in 2.8 to change the setting for P2.
 If you have already set P1 and want to alter the setting for P2 only:

- Press the SET button until TIMER mode is displayed.
- Hold the SET button **until the display flashes the current time** for P1 ● .
- Press the SET button once again to scroll past the settings for P1 ● and P1.

With the time still flashing:

- Press the UP button to alter the hour.
- Press the DOWN button to alter the minutes.

Once all four times are set press the OFF button.

2.10 To view existing settings:

- Select Timer Mode.
- Press and briefly hold the SET button you see the start time for P1.
- Repeat the above step for the start and end of each program.

Low Battery

“BATT” is displayed on the remote when its batteries need replacement.

Setting the time

Simultaneously press the up and down buttons.

Press the up button to set the hour and the down button to set the minutes.

Press OFF to return to the manual mode or simply wait.

Setting the °C/24 Hour or °F/12 Hour clock

Press OFF and the down arrow until the display changes from °C/24 hour clock to °F/12 hour clock and vice versa.

i **If the remote is removed, lost or damaged, signals transmitted to the receiver cease. Your fire will go to standby (pilot) mode after 6 hours.**

Troubleshooting

! IMPORTANT: In the unlikely event that the handset fails to communicate correctly with the appliance it may be necessary to turn off the gas supply at the isolation valve until any problems can be resolved.

The gas meter and isolation valve can be located outside in a meter box, under the stairs, beneath the kitchen sink or in the garage. Whilst this list is not exhaustive, it is important to be able to identify the location of the valve in case of any gas emergency.

To turn off the gas supply, simply turn the handle so the lever is at 90 degrees to the upright gas pipe.

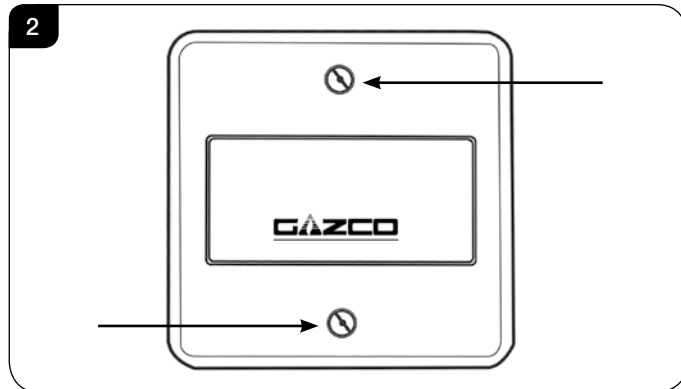
If you smell gas, open doors and windows and never operate any electrical switches. Immediately call the Gas Emergency Services on 0800 111 999.

User Instructions

3. Changing the Appliance Batteries

The appliance batteries are located behind the wall plate.

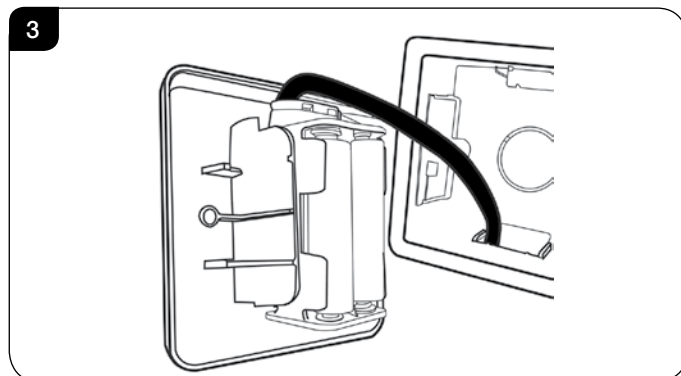
- 3.1 Undo the two screws securing the wall plate and remove, see Diagram 2.



- 3.2 Unclip the battery holder from the wall plate and remove the old batteries.

i It is essential to use high quality batteries (Duracell or equivalent) when replacing batteries in the handset or control box.

- 3.3 Correctly position the four new AA size batteries into the battery holder. Re-assemble the battery holder as shown in Diagram 3.



! PLEASE ENSURE NO WIRES ARE TRAPPED BEFORE REPLACING THE WALL PLATE. THE LEAD IS EASILY DAMAGED.

4. Cleaning the Studio

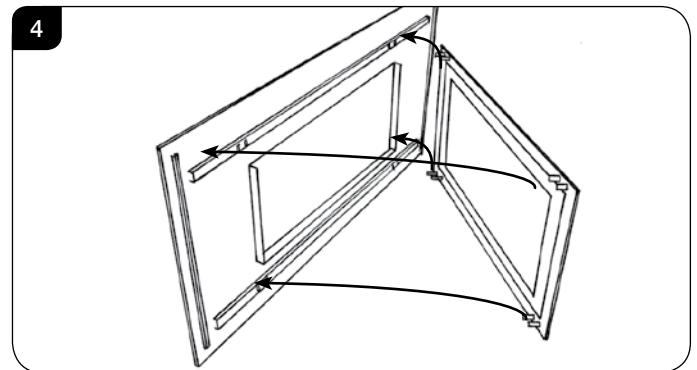
- 4.1 Make sure the appliance and surrounds are cool before cleaning.
- 4.2 Use:
- A damp cloth for the painted frame.
 - A damp cloth to clean the inner panels (Black Glass version only).
 - Soap and water to clean the glass.

Opening the Glass Window:

4.3 Steel, Verve or Glass Frame

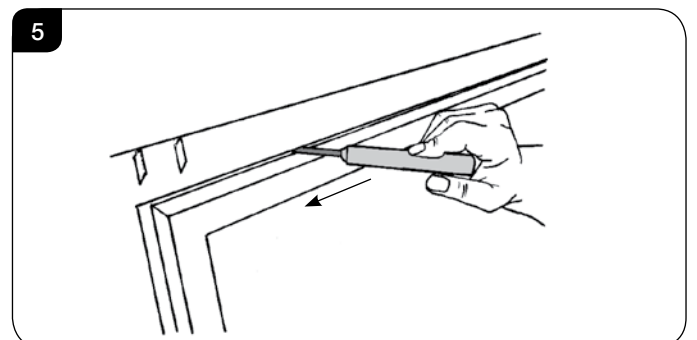
If fitted with a Steel, Verve or Glass Frame, this needs to be removed first:

- 4.4 Lift the frame upwards off its four support brackets, see Diagram 4.



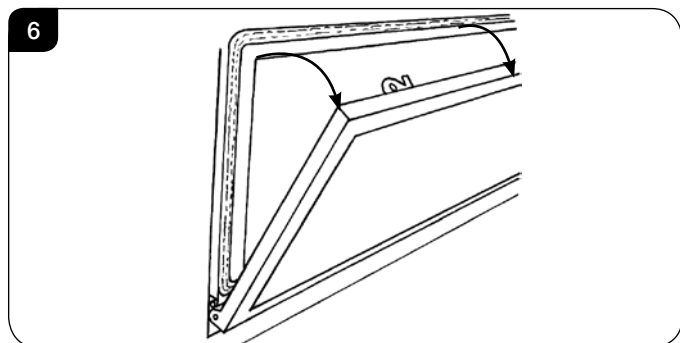
All models

- 4.5 To open the glass door use the hexagon key provided.
- 4.6 Release the window locks by moving them from shut to open towards the outer edges, see Diagram 3.

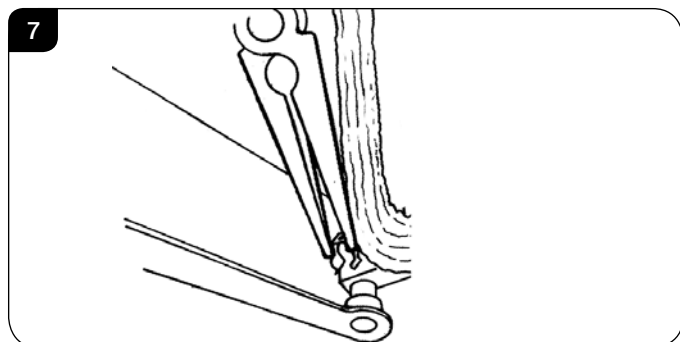


User Instructions

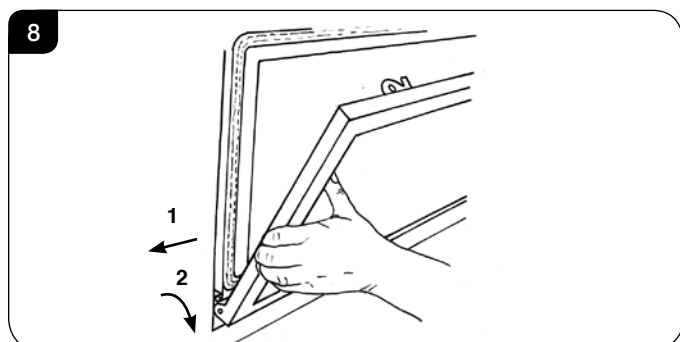
- 4.7 To completely remove the glass front:
- 4.8 Support the frame and lower it gently forward down to its natural stop position, see Diagram 6.
DO NOT EXERT PRESSURE ON THE DOOR ONCE THERE IS RESISTANCE.



- 4.9 Remove the securing spring clip from the bottom-right of the window frame, see Diagram 7.



- 4.10 With the window frame in an upright position slide the frame to the left so that it comes off the left hinge pin, see Diagram 8 (1).
- 4.11 Still keeping the frame upright drop the left side down and forward slightly, see Diagram 8 (2).



- 4.12 Slide the frame to the right so it comes off the right hinge pin. The window frame should now be free.
- 4.13 Refit the Window Frame Assembly in reverse order.

When closing the door ensure the door catches are fully engaged.

UNDER NO CIRCUMSTANCES SHOULD THE APPLIANCE BE USED WITHOUT THE CATCHES HOLDING THE DOOR IN PLACE.

5. Flame Failure Device

- 5.1 This is a safety feature incorporated on this appliance which automatically switches off the gas supply if the pilot goes out and fails to heat the thermocouple.

IF THIS OCCURS DO NOT ATTEMPT TO RELIGHT THE APPLIANCE FOR 3 MINUTES.

6. Running In

- 6.1 During initial use of a new GAZCO appliance a strong odour will be encountered as various surface coatings become hot for the first time. Although these odours are harmless it is recommended that the appliance is operated on maximum for 4 to 8 hours in order to fully burn off these coatings. After this period the odours should then disappear.

If the odours persists, please contact your installer for advice.

- 6.2 During the first few hours of burning there may be discolouration of the flames. This will also disappear after a short period of use.

7. Servicing

- 7.1 The appliance must be serviced every 12 months by a qualified Gas Engineer. In all correspondence always quote the Model number and the Serial number which may be found on the Commissioning Checklist (Page 3).

8. Ventilation

- 8.1 This appliance requires no additional ventilation.

9. Installation Details

- 9.1 The installer should have completed the commissioning sheet at the front of this book. This records the essential installation details of the appliance. In all correspondence always quote the Model number and Serial number.

10. Hot Surfaces

- 10.1 Parts of this appliance become hot during normal use.
- 10.2 Regard all parts of the appliance as a working surface.
- 10.3 Provide a suitable fire guard to protect young children and the infirm.

11. Appliance will not light

If you cannot light the Studio:

- 11.1 Check and change the batteries in the remote handset.
- 11.2 Check and change the appliance batteries (see Section 3).
- 11.3 Consult your Gazco retailer or installer if the Studio still does not light.

Installation Instructions

Technical Specification

Covering the following models:

GAS TYPE	STUDIO 1	STUDIO 2	STUDIO 3
Natural Gas	123-024	123-030	123-043
LPG	123-629	123-653	123-666

All Models

Model	Gas CAT.	Gas Type	Working Pressure	Aeration	Injector	Gas Rate m ³ /h	Input kW (Gross)		Country
							High	Low	
Studio 1	I ₂ H	Natural Gas (G20)	20mbar	8mm x 15mm (L)	400	0.600	6.3	4.0	GB, IE
	I ₃ P	Propane (G31)	37mbar	5mm x 16mm (C) + 16mm x 23mm	185	0.237	6.3	4.0	GB, IE
Studio 2	I ₂ H	Natural Gas (G20)	20mbar	12mm x 15mm (H)	600	0.810	8.5	4.4	GB, IE
	I ₃ P	Propane (G31)	37mbar	6mm x 8mm (N) + 16mm x 23mm	150	0.301	8.0	4.4	GB, IE
Studio 3	I ₂ H	Natural Gas (G20)	20mbar	(6mm x 8mm (N)) x 2	184 x 2	0.962	10.1	5.2	GB, IE
	I ₃ P	Propane (G31)	37mbar	(8mm x 15mm (L) + 16mm x 23mm) x 2	125 x 2	0.395	10.5	5.1	GB, IE
Efficiency Class 1 - 92% / NO_x Class 4									
Flue Outlet Size Ø 100mm									
Flue Inlet Size Ø 150mm									
Gas Inlet Connection Size Ø 8mm									

RESTRICTOR REQUIREMENT				
VERTICAL & HORIZONTAL FLUE			TOP EXIT - VERTICAL ONLY INCLUDING OFFSET	
STUDIO 1 BF			STUDIO 1 BF	
Vertical Flue Height	Horizontal Length	Restrictor Size	Vertical Flue Height	Restrictor Size
200mm - 499mm	Up to 500mm	N/A	2000mm - 4999mm	52mm
500mm - 999mm	Up to 1000mm	N/A	5000mm - 10,000mm	47mm
1000mm - 1499mm	Up to 1000mm	70mm		
1500mm - 1999mm	Up to 5000mm	70mm		
2000mm - 3000mm	Up to 5000mm	60mm		
STUDIO 2 BF			STUDIO 2 BF	
700mm - 1499mm	Up to 1000mm	N/A	2000mm - 4999mm	60mm
1500mm - 1999mm	Up to 5000mm	N/A	5000mm - 10,000mm	52mm
2000mm - 3000mm	Up to 5000mm	75mm		
STUDIO 3 BF			STUDIO 3 BF	
1000mm - 1499mm	Up to 500mm	N/A	2000mm - 4999mm	70mm
1500mm - 2499mm	Up to 1000mm	N/A	5000mm - 10,000mm	60mm
2500mm - 3000mm	Up to 5000mm	N/A		

Installation Instructions

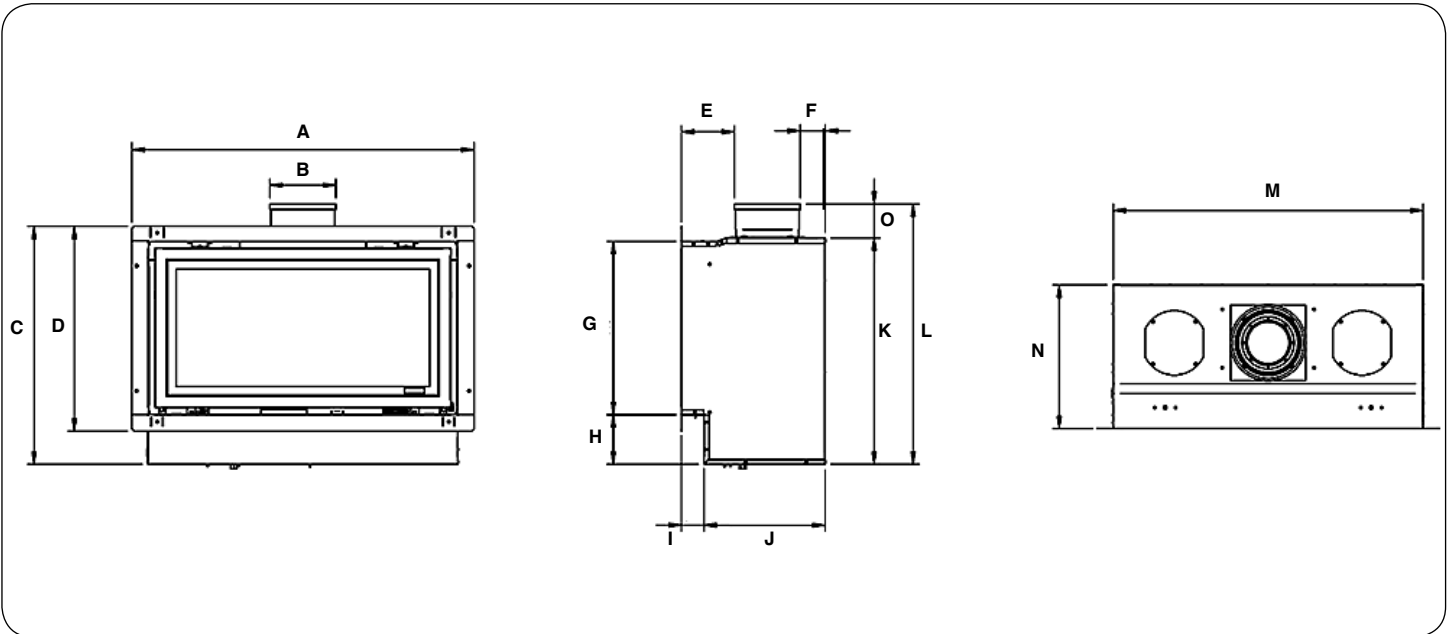
Technical Specification

i The net efficiency of this appliance has been measured as specified in EN613:2001 and the result after conversion to gross using the appropriate factor from Table E4 of SAP 2012 is 83%. The test data has been certified by Kiwa Nederland BV. The gross efficiency value may be used in the UK Government's Standard Assessment Procedure (SAP) for energy rating of dwellings.

This appliance has been certified for use in countries other than those stated. To install this appliance in these countries, it is essential to obtain the translated instructions and in some cases the appliance will require modification. Contact Gazco for further information.

PACKING CHECKLIST

Qty Description	Fixing Kit containing:
Stone & Pebble Effect Version	1 x Instruction Manual
1 x White Stone Chippings	6 x Wood Screws
1 x Pebble Set	6 x Wall Plugs
Log Version	1 x Handset
1 x Log Set	4 x AA cell batteries
1 x Lava Rock	1 x 9v cell batteries
1 x Slate	1 x Wall box
Driftwood Log Version	1 x Wall plate
1 x Driftwood Log Set	1 x Battery holder
1 x Lava Rock	1 x Foam seal
1 x Slate	1 x Quick Start Guide
	1 x Door Tool
	2 x Wall Plate Screw
	1 x Bag Embaglow material



Model	A	B	C	D	E	F	G	H	I	J	K	L	M	N	O
Studio 1	820	153	571	491	127	60	416	119	54	291	543	624	745	345	81
Studio 2	1020	153	571	491	127	60	416	119	54	291	543	624	945	345	81
Studio 3	1410	153	571	491	127	60	416	119	54	291	543	624	1335	345	81

Installation Instructions

Technical Specification

Steel Fronts					
Model	A	B	C	D	E
Studio 1	1264	528	846	320	27
Studio 2	1500	528	846	320	27
Studio 3	1990	528	1236	320	27

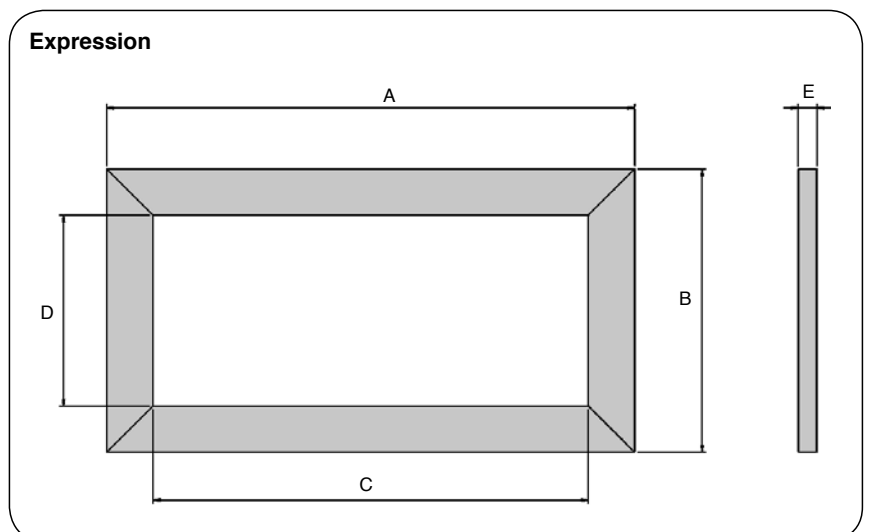
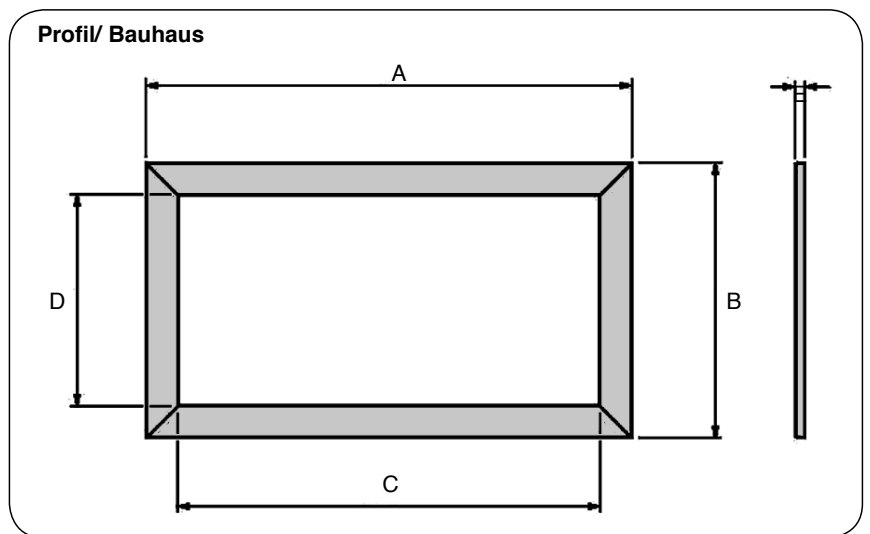
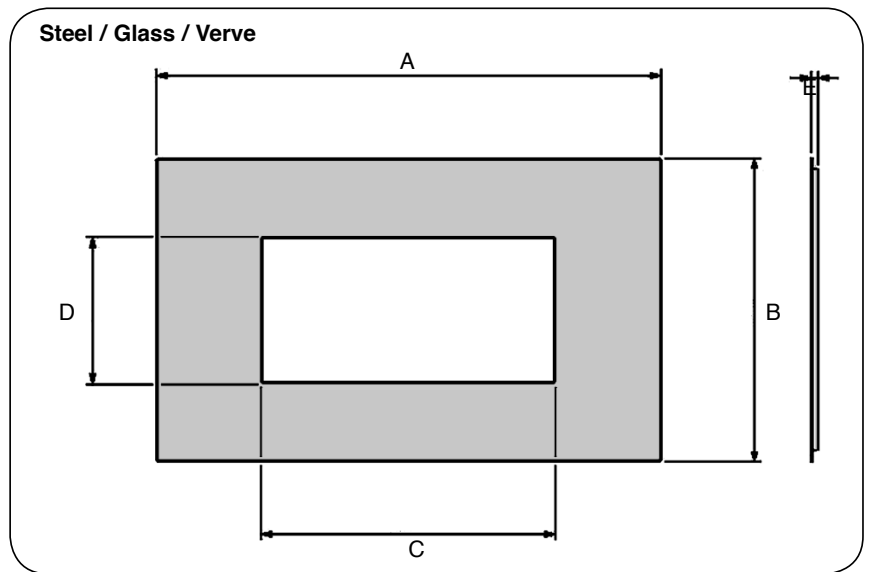
Glass Fronts					
Model	A	B	C	D	E
Studio 1	1264	528	650	324	29
Studio 2	1500	528	852	324	29
Studio 3	1990	528	1240	324	29

Verve Fronts					
Model	A	B	C	D	E
Studio 1	1264	528	650	324	53
Studio 2	1500	528	850	324	53
Studio 3	1990	528	1240	324	53

Profil Fronts					
Model	A	B	C	D	E
Studio 1	836	510	740	414	12.5
Studio 2	1036	510	940	414	12.5
Studio 3	1426	510	1330	414	12.5

Bauhaus Fronts					
Model	A	B	C	D	E
Studio 1	850	524	740	414	28
Studio 2	1050	524	940	414	28
Studio 3	1440	524	1330	414	28

Expression Frame					
Model	A	B	C	D	E
Studio 1	940	614	740	414	40
Studio 2	1140	614	940	414	40
Studio 3	1530	614	1330	414	40



Installation Instructions

Site Requirements

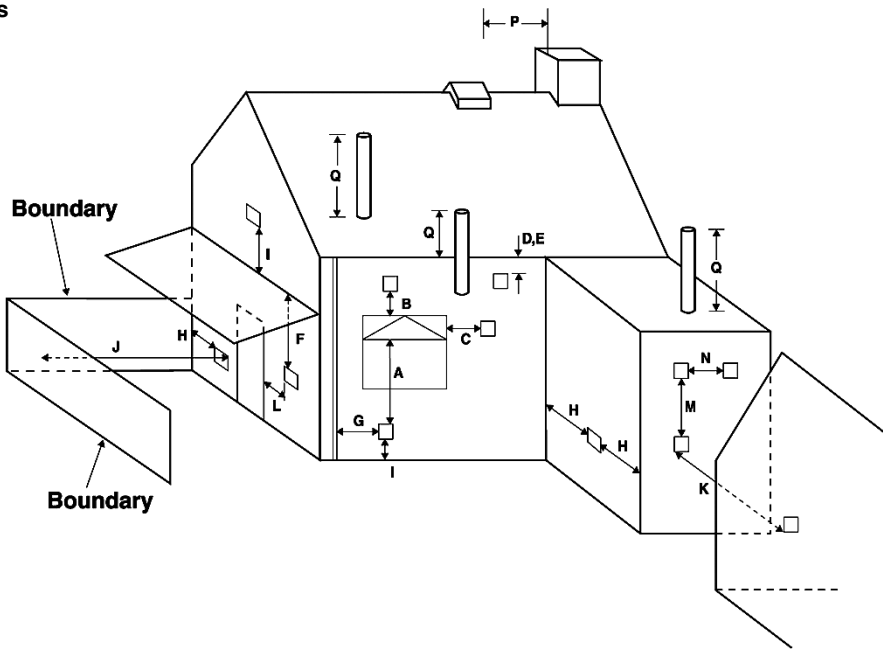
1. Flue & Chimney Requirements

Note: This appliance must only be installed with the flue supplied.

- 1.1 You must adhere to the following:
 - 1.1 The flue must be sited in accordance with BS5440: Part 1 (latest edition), see Diagram 1.
 - 1.2 Fit a guard to protect people from any terminal less than 2 metres above any access such as level ground, a balcony or above a flat roof.
 - 1.3 All vertical and horizontal flues must be securely fixed and fire precautions followed in accordance with local and national codes of practice.
 - 1.4 A restrictor may be required, see Technical Specifications on page 8.
 - 1.5 Two types of flue terminals are available, horizontal and vertical.

- 1.6 To measure for a horizontal terminal decide on the terminal position.
- 1.7 Measure the height from the top of the appliance to the centre of the required outlet.
- 1.8 For minimum and maximum flue dimensions see Diagram 1A.
- 1.9 Allow enough room either above or to the side of the appliance to assemble the flue on top.
- 1.10 Assemble a horizontal flue in the following order:
 - Vertical section
 - 90° elbow
 - Horizontal plus terminal
- 1.11 Support the opening of a masonry installation with a lintel.
- 1.12 Only the horizontal terminal section can be reduced in size.

1 UK Dimensions



Dimension	Terminal Position	Minimum Distance
A*	Directly below an opening	600mm
B*	Above an opening	300mm
C*	Horizontally next to an opening	400mm
D	Below gutters, soil pipes or drain pipe	300mm
E	Below eaves	300mm
F	Below balcony or car port roof	600mm
G	From a vertical drain pipe or soil pipe	300mm
H	From an internal or external corner or to a boundary alongside the terminal	600mm
I	Above ground, roof or balcony level	300mm

Dimension	Terminal Position	Minimum Distance
J	From a surface or boundary facing the terminal	600mm
K	From a terminal facing the terminal	600mm
L	From an opening in the car port (e.g. door, window) into the dwelling	1200mm
M	Vertically from a terminal on the same wall	1200mm
N	Horizontally from a terminal on the same wall	300mm
P	From a structure on the roof	600mm
Q	Above the highest point of intersection with the roof	300mm

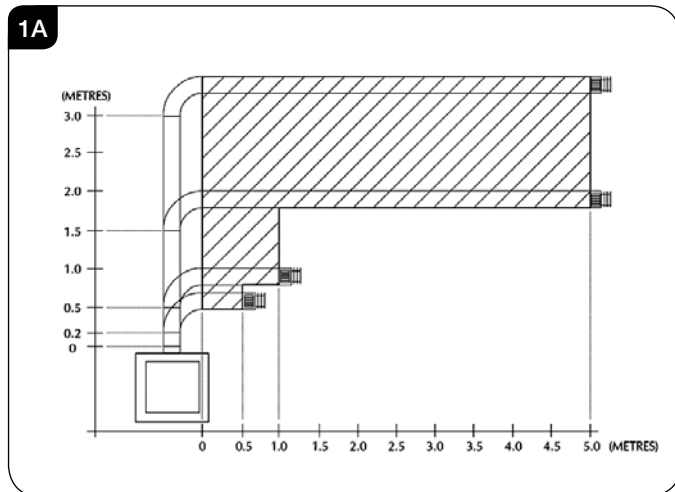
* In addition, the terminal should not be nearer than 300mm to an opening in the building fabric formed for the purpose of accommodating a built-in element such as a window frame.

Installation Instructions

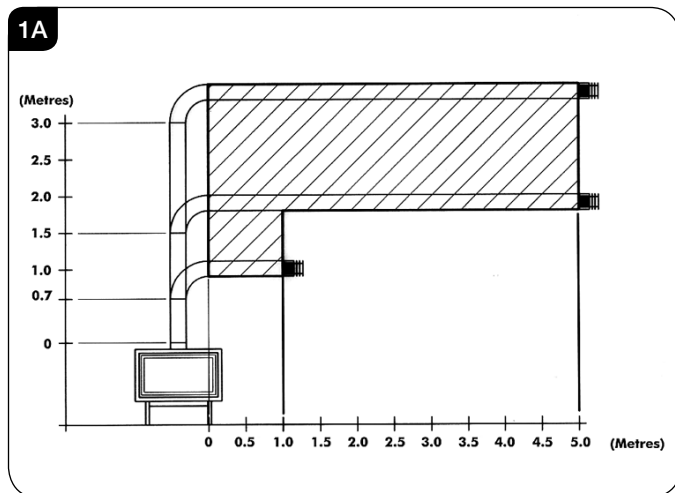
Site Requirements

2. Flue Options

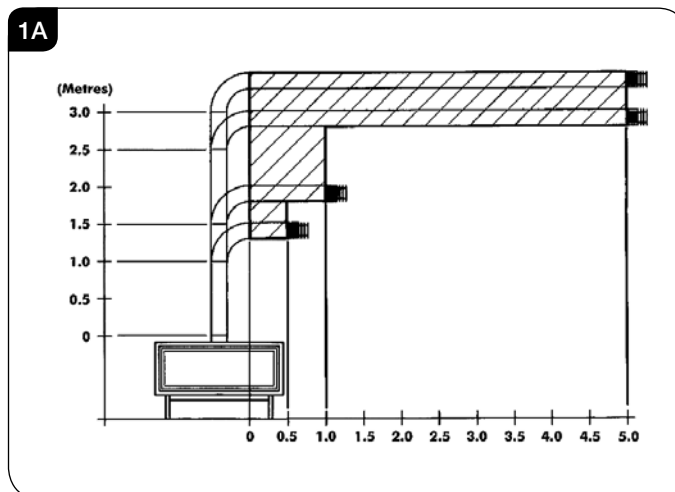
STUDIO 1 BF



STUDIO 2 BF



STUDIO 3 BF



Start of bend to centre line of horizontal flue 170mm.
Centre line of vertical flue to end of bend 220mm.

2A. Top Flue Up and Out Kit

2.1 Vertical from the top of the appliance then horizontally out, see Diagram 1A. The basic kit comprises:

STUDIO 1 BF (8534/8534AN)

- 1 x 200mm vertical length
- 1 x 500mm terminal length (cut to length on site)
- 1 x 90° elbow
- 1 x wall plate
- 1 x 70mm restrictor
- 1 x 60mm restrictor

STUDIO 2 BF (8509/8509AN)

- 1 x 200mm vertical length
- 1 x 500mm vertical length
- 1 x 500mm terminal length (cut to length on site)
- 1 x 90° elbow
- 1 x wall plate
- 1 x 75mm restrictor

The kit may be used on its own. (Note – STUDIO 1 BF with a 200mm rise only the 500mm terminal length can be used). Extra lengths may be added to the vertical and horizontal from the table, see Section 3.

STUDIO 3 BF (8567/8567AN)

- 1 x 1000mm vertical length
- 1 x 500mm terminal length (cut to length on site)
- 1 x 90° elbow
- 1 x wall plate

The kit may be used on its own. (Note – STUDIO 1 BF with a 200mm rise only the 500mm terminal length can be used). Extra lengths may be added to the vertical and horizontal from the table, see Section 3.

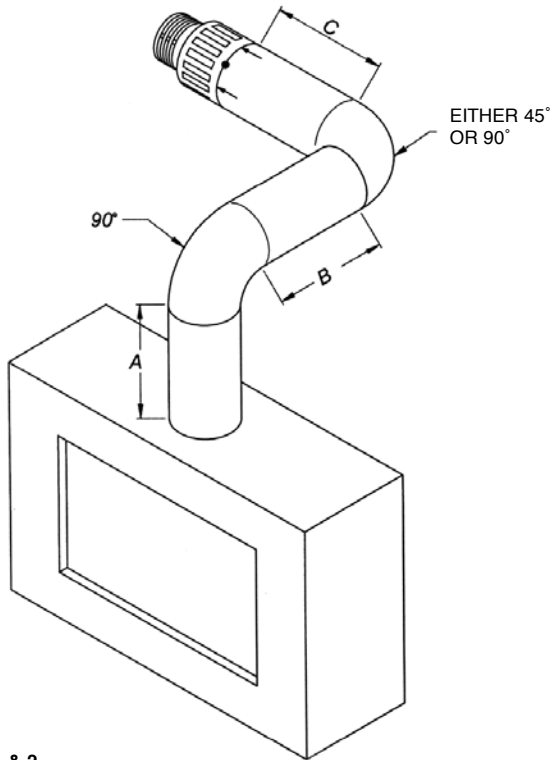
Installation Instructions

Site Requirements

2B. Top Flue Up and Out with Additional Bend

- 2.2 An additional bend may be used on the horizontal section (either 45° or 90°), but the overall horizontal flue run will be reduced, see Diagram 1B.

1B



Studio 1 & 2

When A = 1.0 to 1.499 metres B + C = 1.0 metres maximum
When A = 1.499 metres to 3.0 metres B + C = 4.0 metres maximum

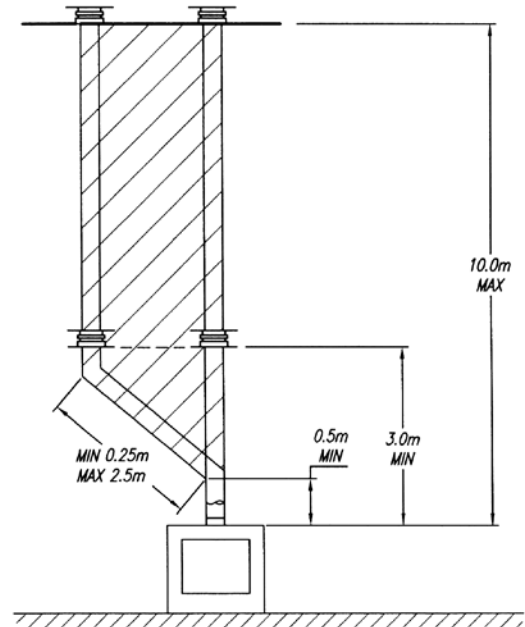
Studio 3

When A = 1.5 to 2.499 metres B + C = 1.0 metres maximum
When A = 2.5 metres to 3.0 metres B + C = 4.0 metres maximum

2C. Top Flue Vertical Kit (8524/8524AN)

- 2.3 Vertical from the top of the appliance, see Diagram 1C. A minimum vertical rise 3m (9'10") to a maximum 10m (32'10"). The basic kit comprises:
- 2 x 1m lengths
 - 1 x 1m terminal length
 - 1 x 52mm restrictor
 - 1 x 47mm restrictor
 - 1 x 60mm restrictor
 - 1 x 70mm restrictor
- Extra lengths may be added from the table, see Section 3.

1C



This Gazco balanced flue system is designed to run internally with only the terminal projecting from the building.

2D. Top Flue Vertical Offset Kit (8530/8530AN)

- 2.4 Used with kit 8524. A minimum rise of 500mm (19½") is required to the first bend, see Diagram 1C.

Installation Instructions

Site Requirements

3. Optional Extra Flue Lengths and Bends

All flue components are 150mm diameter (6").

NOMINAL LENGTH	ACTUAL LENGTH	STAINLESS FINISH	ANTHRACITE FINISH
200mm	140mm	8527	8527AN
500mm	440mm	8528	8528AN
1000mm	940mm	8529	8529AN
40° Bend	N/A	8507	8507AN
90° Bend	N/A	8508	8508AN

NOTE - Carefully consider:

- a) Terminal positions.
- b) Flue supports.
- c) Weatherproofing.
- d) Fire precautions.

For all the above options, you must conform to local and national codes of practice.



IMPORTANT:
1M VERTICAL, TERMINAL AND STRAIGHT FLUE LENGTHS MUST NOT BE CUT!

4. Gas Supply

THIS APPLIANCE IS INTENDED FOR USE ON A GAS INSTALLATION WITH A GOVERNED METER.

- 4.1 Before installation, ensure that the local distribution conditions (identification of the type of gas and pressure) and the adjustment of the appliance are compatible.
- 4.2 Ensure the gas supply delivers the required amount of gas and is in accordance with the rules in force.
- 4.3 Soft copper tubing can be used on the installation and soft soldered joints outside the appliance and below the firebed.
- 4.4 A factory fitted isolation device is part of the inlet connection; no further isolation device is required.
- 4.5 All supply gas pipes must be purged of any debris that may have entered prior to connection to the appliance.
- 4.6 The gas supply enters through the silicone panel located on the LEFT-HAND side of the outer box. Slit with a sharp knife before passing the supply pipe through.
- 4.7 The gas supply must be installed in a way that does not restrict the removal of the appliance for servicing and inspection.

5. Ventilation

- 5.1 This appliance requires no additional ventilation.

6. Appliance Location

- 6.1 Please note this appliance has been primarily designed for studwork applications. However, there are circumstances where one of the kits could be used on a block or brickwork fireplace using different methods and materials for the final effect.

The three methods of studwork installation are:

**Frame (see Installation Instructions, Section 4).
Edge (see Installation Instructions, Section 5).
Cool Wall (see Installation Instructions, Section 6).**

- 6.2 This appliance must stand on a non-combustible platform that is at least 12mm thick.

NOTE: If it is intended to construct the fascia of the fireplace opening from natural materials Gazco recommended they are cut this into three or more sections to prevent cracking. Resin-based materials may not be suitable. This appliance is an effective heat producer and attention must be paid to the construction and finish of the fireplace.

- 6.3 A combustible shelf must be:

- Maximum 150mm in depth.
- Minimum 400mm high above the appliance.

A combustible side wall must be a minimum of 150mm from the appliance.

- 6.4 This appliance can be installed with an up and out flue (vertical wall - horizontal flue) or with a vertical flue with roof termination, see Site Requirements, Section 2, Flue Options.
- 6.5 This appliance is not suitable for installation onto a combustible wall. Remove all combustible material from the area shown, see Installation Instructions, Section 3.1.

Installation Instructions

1. Safety Precautions

- 1.1 For your own and other's safety, you must install this stove according to local and national codes of practice. Failure to install the stove correctly could lead to prosecution. **Read these instructions before installing and using this appliance.**
- 1.2 These instructions must be left intact with the user.
- 1.3 Do not attempt to burn rubbish on this appliance.
- 1.4 Keep all plastic bags away from young children.
- 1.5 Do not place any object on or near to the appliance and allow adequate clearance above the appliance.

IF THE APPLIANCE IS EXTINGUISHED OR GOES OUT IN USE, WAIT 3 MINUTES BEFORE ATTEMPTING TO RELIGHT THE APPLIANCE.

i **IMPORTANT: REFER TO DATA BADGE AND TECHNICAL SPECIFICATION AT THE FRONT OF THE MANUAL TO ENSURE THE APPLIANCE IS CORRECTLY ADJUSTED FOR THE GAS TYPE AND CATEGORY APPLICABLE IN THE COUNTRY OF USE.**

FOR DETAILS OF CHANGING BETWEEN GAS TYPES REFER TO SERVICING, SECTION 15, REPLACING PARTS.

Unpacking

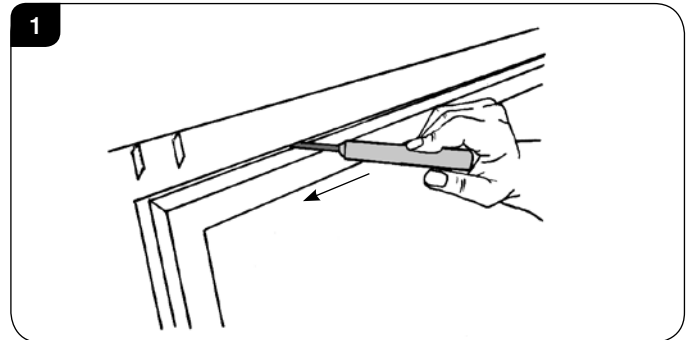
- 1.6 Remove the appliance from its packaging, and check that it is complete and undamaged.

Put the loose ceramic parts to one side so that they are not damaged during installation.

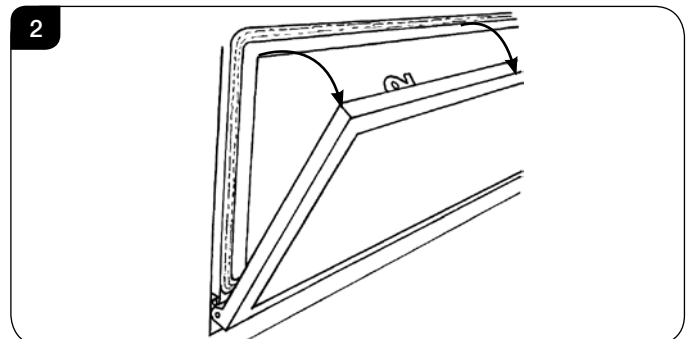
2. Installation of the Appliance

THERE IS AN OPTIONAL DUCT KIT, CODE No. 8572 WHICH CAN BE FITTED AT THE SAME TIME AS THE APPLIANCE INSTALLATION.

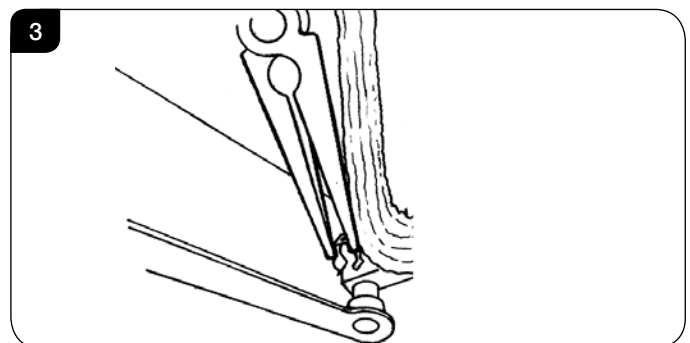
- 2.1 To open the glass door use the hexagon key provided.
- 2.2 Release the window locks by moving them from shut to open towards the outer edges, see Diagram 1.



- 2.3 To completely remove the glass front:
- 2.4 Support the frame and lower it gently forward down to its natural stop position, see Diagram 2. **DO NOT EXERT PRESSURE ON THE DOOR ONCE THERE IS RESISTANCE.**

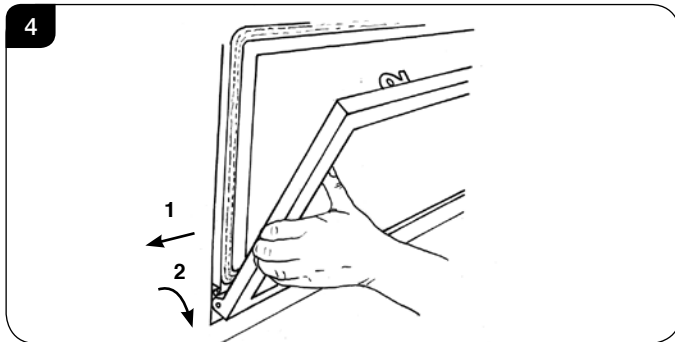


- 2.5 Remove the securing spring clip from the bottom-right of the window frame, see Diagram 3.



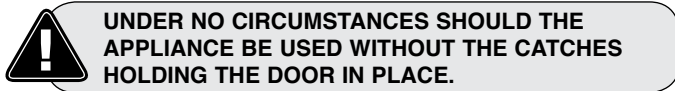
Installation Instructions

- 2.6 With the window frame in an upright position slide the frame to the left so that it comes off the left hinge pin, see Diagram 4 (1).
- 2.7 Still keeping the frame upright drop the left side down and forward slightly, see Diagram 4 (2).



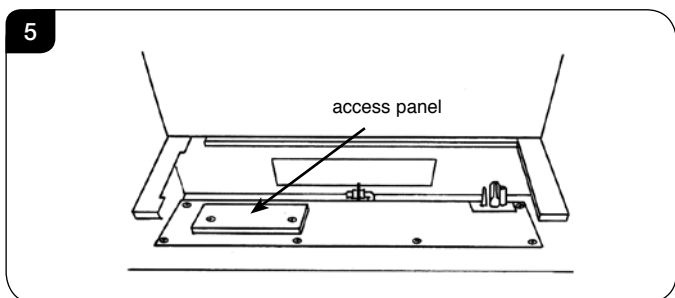
- 2.8 Slide the frame to the right so it comes off the right hinge pin. The window frame should now be free.
- 2.9 Refit the Window Frame Assembly in reverse order.

When closing the door ensure the door catches are fully engaged.

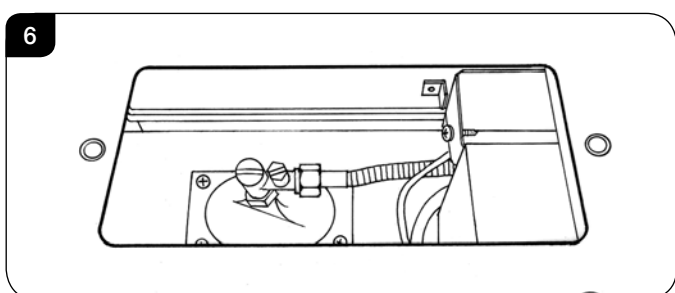


UNDER NO CIRCUMSTANCES SHOULD THE APPLIANCE BE USED WITHOUT THE CATCHES HOLDING THE DOOR IN PLACE.

- 2.10 Remove the box from the appliance and store safely as it contains the remote control and fuel effects, etc.
- 2.11 Remove all the enamel liners where necessary. The rear panels on Studio 1 and 3 can remain in place, see Replacing Parts, Section 5.
- 2.12 Remove the Main Burner, see Replacing Parts, Section 6.
- 2.13 The gas supply enters the appliance through a silicon panel on the floor under the access panel, see Diagram 5.



- 2.14 Slit with a sharp knife before bringing through the supply pipe, see Diagram 6.

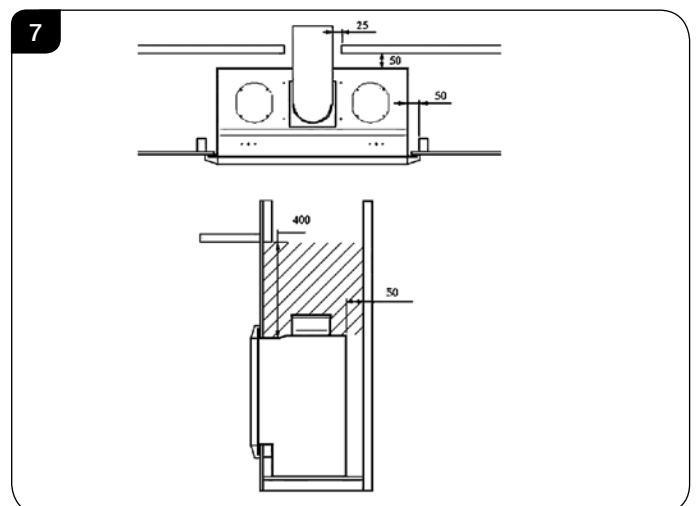


3. Studwork Installation

THERE ARE THREE TYPES OF INSTALLATION INTO STUDWORK DESCRIBED IN THE FOLLOWING PAGES:

- 1) **FOR STUDIO WITH DECORATIVE FRAME, SEE SECTION 4.**
- 2) **FOR AN INSTALLATION WHERE THE STUDIO SITS FLUSH TO THE FINISHED 'EDGE' OF THE WALL, SEE SECTION 5.**
- 3) **FOR A FURTHER 'EDGE' INSTALLATION PROVIDING A COOL WALL ABOVE THE APPLIANCE TO ALLOW CUSTOMERS TO HANG PICTURES ETC. SEE SECTION 6.**

- 3.1 **DISTANCE TO COMBUSTIBLE MATERIAL**
COMBUSTIBLE PARTS OF THE STUDWORK MUST BE KEPT BEYOND THE MINIMUM DIMENSIONS SHOWN IN DIAGRAM 7. EVEN IF THE FRAMEWORK IS PROTECTED BY NON-COMBUSTIBLE MATERIAL, THESE DIMENSIONS MUST BE MAINTAINED, SEE DIAGRAM 7.



- 3.2 **DISTANCE TO NON-COMBUSTIBLE OR COMBUSTIBLE MATERIAL ON STUDIO 3 ONLY**
TO CREATE ENOUGH CLEARANCE FOR THE TOP VENTS TO OPEN ON THE STUDIO 3 IT IS IMPORTANT THAT NO PART OF THE STUDWORK, (COMBUSTIBLE OR NOT,) IS BUILT WITHIN 400MM OF THE TOP OF THE BOX.

- 3.3 **ALL MODELS**
DO NOT PACK THE VOID AROUND OR ABOVE THE APPLIANCE WITH INSULATION MATERIALS SUCH AS MINERAL WOOL.

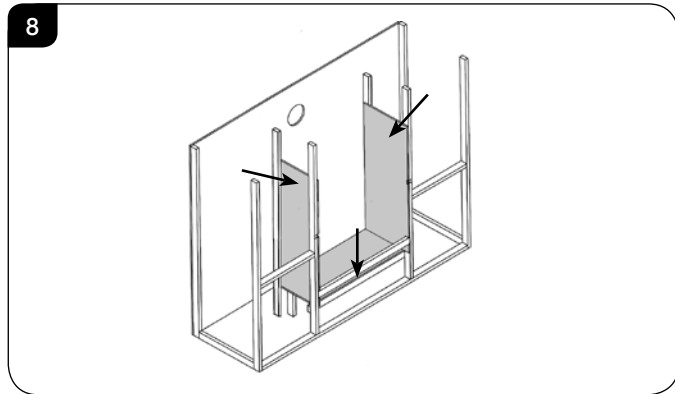
- 3.4 **THE VOID BUILT FOR THE CASSETTE MUST BE VENTILATED TO PREVENT A BUILD-UP OF HEAT. IF THE VOID IS SEALED, THEN YOU MUST FIT VENTS AT BOTH LOW AND HIGH LEVELS OF APPROXIMATELY 50CM² EACH. THESE VENTS MUST TAKE COLD AIR FROM THE ROOM AND RETURN WARM AIR BACK INTO THE ROOM.**

- 3.5 **AN ACCESS HATCH MUST BE LEFT IN THE SIDE OF THE CHIMNEY BREAST FOR FUTURE SERVICING AND INSPECTION OF THE FLUE AND APPLIANCE.**

Installation Instructions

4. Studwork Installation for Studio with frames

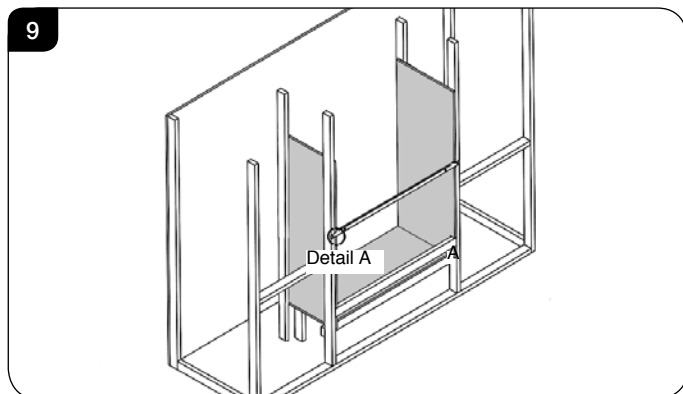
- 4.1 Build the studwork chimney breast and enclosures to the desired size to include the protected platform at the required height.
- 4.2 Line the aperture for the appliance with 12mm thick non-combustible material as shown, see Diagram 8.



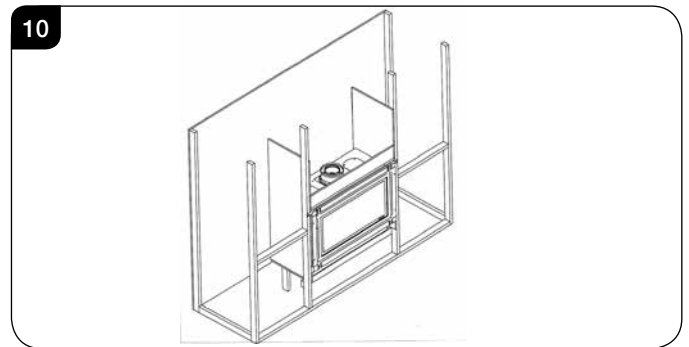
- 4.3 Ensure the clearances are maintained, see Diagram 7.
- 4.4 Site the appliance and decide on flue requirements.
- 4.5 Cut a hole for the flue exit (see Installation Instructions, Flue Assembly).
- 4.6 Provide gas and electric services into the cassette void on the left-hand side.

Because no combustible material can be used above the appliance, we provide a support bar:

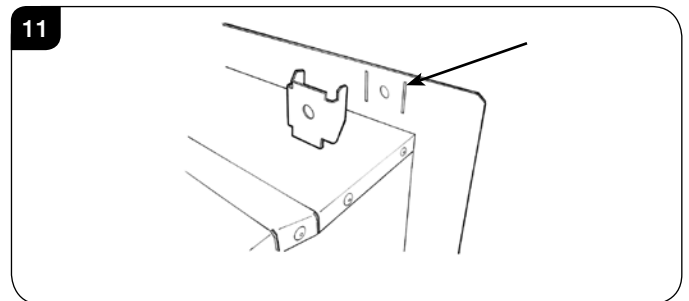
- 4.7 **Mark out the position to fit the supplied top support bar into the studwork at the correct height. This bar needs to be recessed into the studwork, see Diagram 9.**



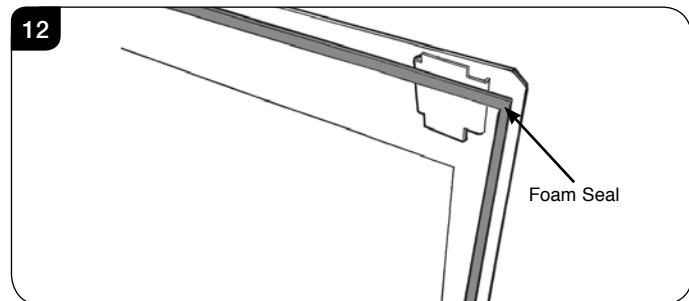
- 4.8 Fit the support bar into the studwork at the correct height, see Diagram 10.



- 4.9 Attach the 4 x frame fixing brackets to the appliance, see Diagram 11.



- 4.10 Fix foam seal to the rear of the outer flange of the appliance, see Diagram 12.



- 4.11 Position the appliance.
- 4.12 Fit non-combustible board to the studwork around the appliance. This should extend a minimum of 400mm above the appliance and at least 50mm to the sides of the appliance (from the outer box, not the flanges).
- 4.13 Apply plasterboard to the remainder of the studwork.
- 4.14 Secure the back of the appliance to the studwork using four screws through flange, bracket and support bar.
- 4.15 Apply a plaster finish to the front of the chimney breast.

Slips

Because of the high temperatures this appliance achieves, it is advisable to use marble slips or similar material between the appliance and the plasterboard.

Installation Instructions

Never use a one-piece slip as expansion (even cracking) can occur.

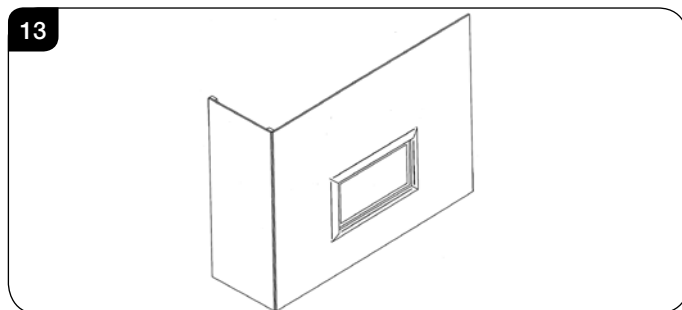
Note: If a slip is used, longer screws are needed to secure the appliance.

To finish this installation:

- 4.16 Connect the wall box and batteries following the instructions in Section 7 below.
- 4.17 Connect:
 - The flue system, see Installation, Section 8.
 - Gas services, see Installation, Section 2, using the opening in the side of the chimney breast for access.

After commissioning:

- 4.18 Finish the sides of the chimney breast, see Diagram 13.

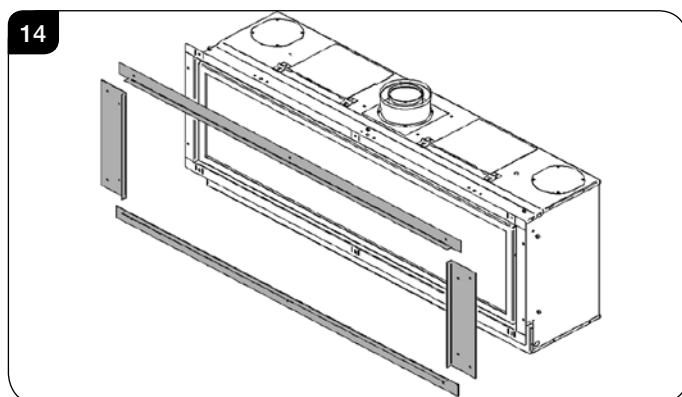


5. Studwork for Studio Edge Installation Kit

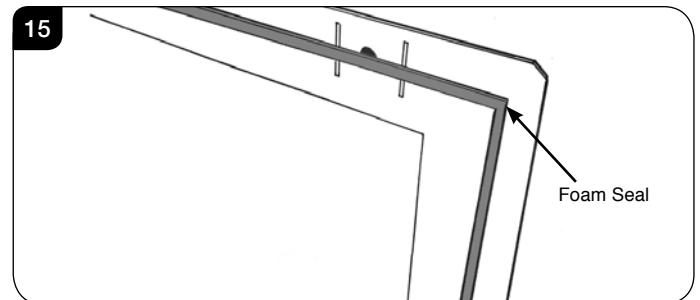
There is an optional Studio Edge Installation Kit available for installing the appliance without a frame.

Using the installation kit:

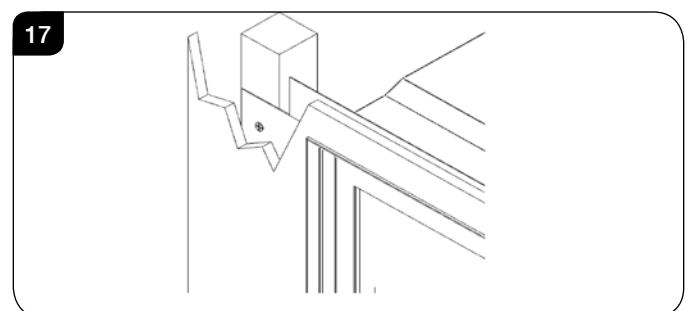
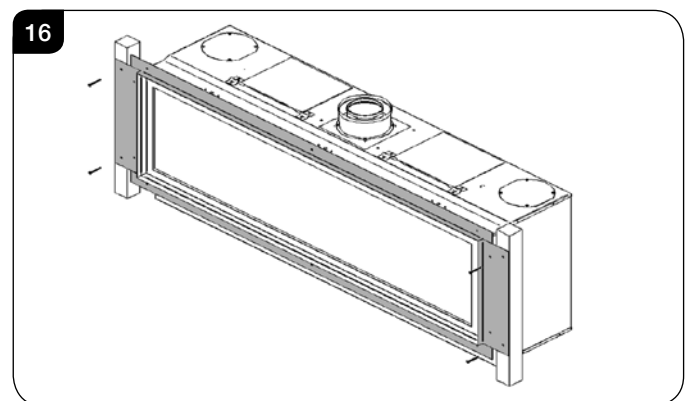
- 5.1 Fit the four metal brackets of the kit to the appliance, see Diagram 14.



- 5.2 Fix foam seal to the rear of the outer flange of the appliance, see Diagram 15.



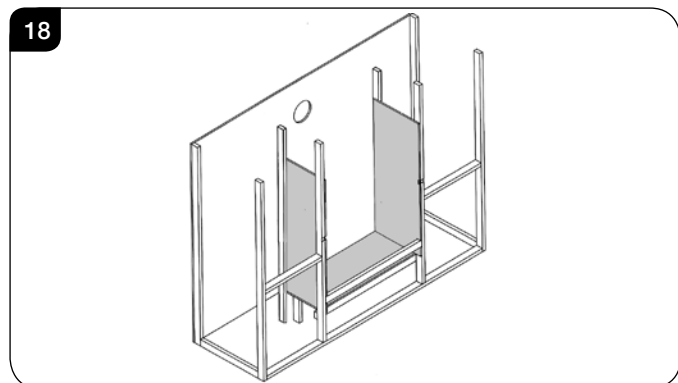
- 5.3 Put vertical studwork at minimum clearance to the side of the appliance (50mm).
- 5.4 Secure to the vertical studwork through the holes in the metal brackets fitted to the appliance.
- 5.5 The kit has been designed so that non-combustible board can be taken right up to the edge of the four brackets, see Diagrams 16 & 17.



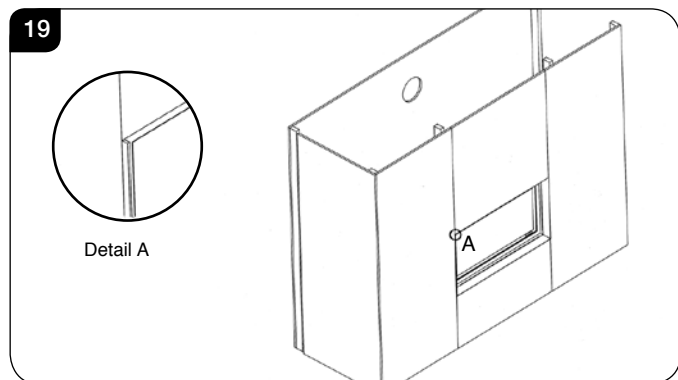
- 5.6 Build the studwork chimney breast to the desired size.
- 5.7 Ensure all clearances to combustible material are maintained, see Section 3.
- 5.8 Decide on flue requirements.

Installation Instructions

- 5.9 Cut a hole for the flue exit, see Installation Instructions, Flue Assembly.



- 5.10 Fit non-combustible board to the studwork above the appliance. This should extend a minimum of 400mm above the appliance.
- 5.11 Fit plasterboard to the remaining chimney breast front.
- 5.12 Connect the flue system and gas services using the opening in the side of the chimney breast for access.
- 5.13 After commissioning, finish the sides of the chimney breast, see Diagram 19.

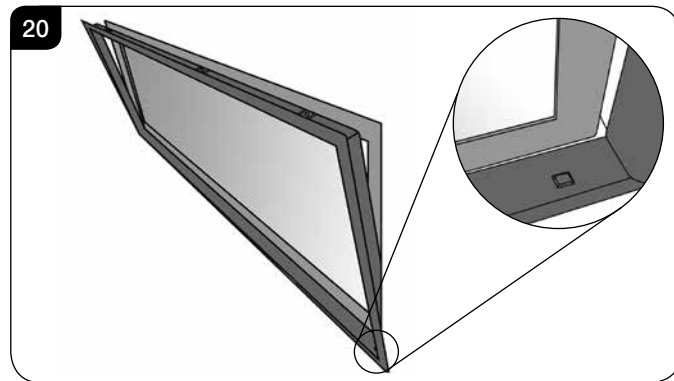


- 5.14 Apply a plaster finish to the chimney breast using heat resistant plaster in the area directly above the appliance.

Edge+ Frame

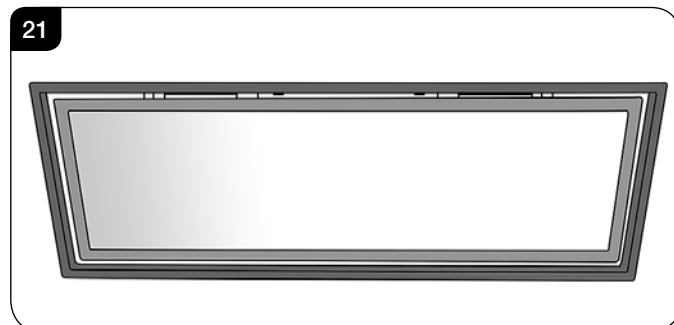
- 5.15 The Edge+ is an optional extra which consists of a decorative frame that is fitted after the studwork or chimney breast has been finished to the Edge frame.
- 5.16 Offer the base of the frame to the finished edge around the appliance. The raised magnetic holders on the Edge+ frame locate at the bottom of the opening, see Diagram 20.

Push the base of the frame half way onto the edge.



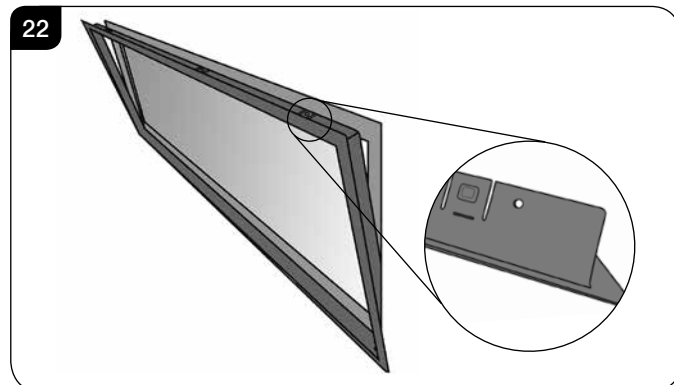
- 5.17 Push the top into place within the opening, taking care not to damage the frame or the wall finish, see Diagram 21.

Push the frame all the way onto the edge around the appliance.



- 5.18 The installation is now complete.
- 5.19 If there is difficulty fitting the Edge+ frame it can be adjusted to suit the installation.

On the top edge of the frame are three adjustable tabs, see Diagram 22.



Installation Instructions

- 5.20 If the Edge+ is too loose the tabs can be bent up to gain better purchase on the edge of the appliance box. If the Edge+ is too tight the tabs can be bent downwards to give more clearance.

6. Studwork for Cool Wall Installation Kit

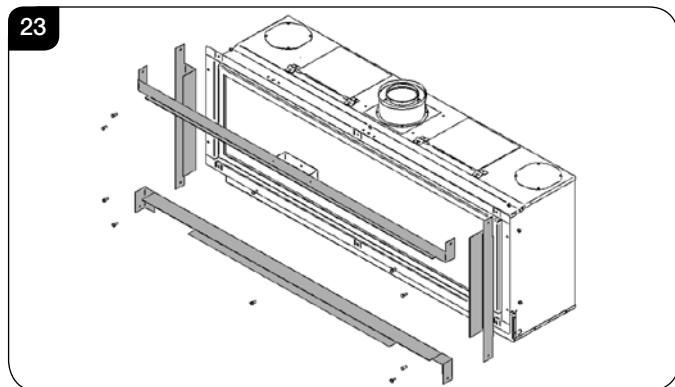
For this cool-wall installation, the convected heat produced by the appliance is channelled into the chimney cavity and vented at the top.

The cool wall installation kit is provided unfinished. This allows the kit to be finished to match the front face decor.

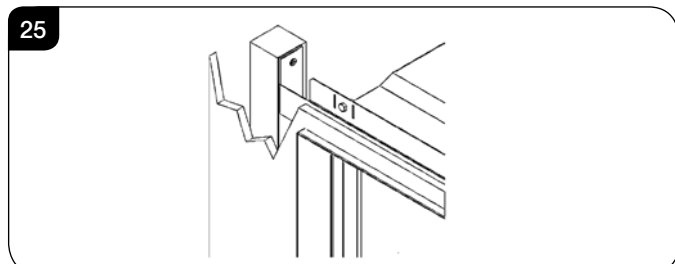
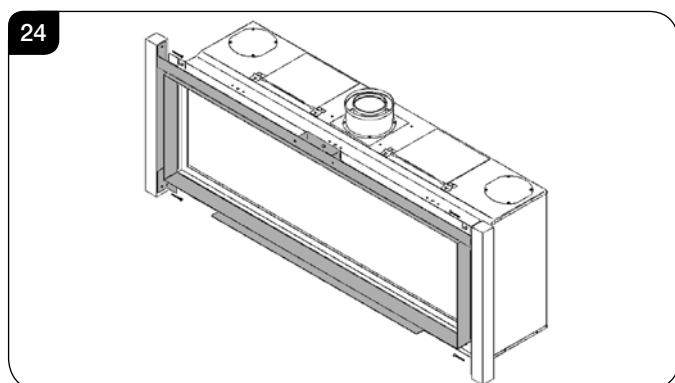
There is an optional Studio Cool Wall Installation Kit available for installing the appliance without a frame.

Using the fixing kit:

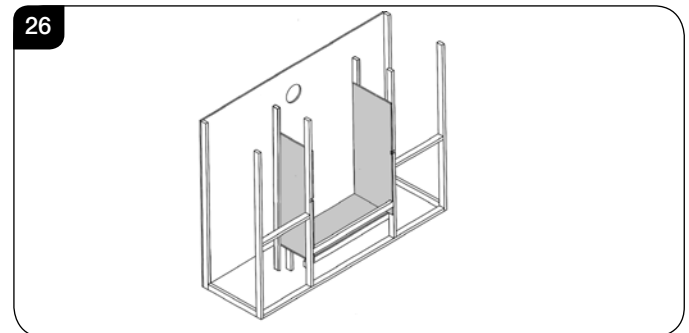
- 6.1 Fit the four metal brackets of the kit to the appliance, see Diagram 23. There is a deliberate gap at the top for convected heat.



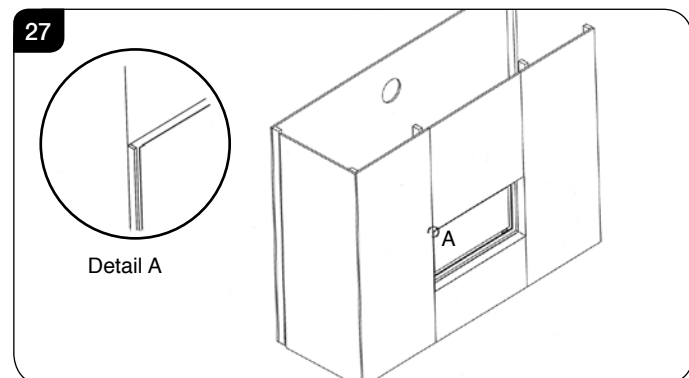
- 6.2 This now determines the width of your two vertical studwork supports. The kit has been designed so that non-combustible board can be taken right up to the edge of the four brackets, see Diagrams 24 & 25



- 6.3 Fix the left and right metal brackets into the studwork. Build the studwork chimney breast to the desired size.
- 6.4 Ensure all clearances to combustible material are maintained, see Section 3.
- 6.5 Decide on flue requirements.
- 6.6 Cut a hole for the flue exit, see Installation Instructions, Flue Assembly.



- 6.7 Fit non-combustible board to the studwork above the appliance. This should extend a minimum of 400mm above the appliance.
- 6.8 Fit plasterboard to the remaining chimney breast front.
- 6.9 Connect the flue system and gas services using the opening in the side of the chimney breast for access.
- 6.10 After commissioning, finish the sides of the chimney breast, see Diagram 27.



- 6.11 The top of the chimney breast must have a minimum 200cm² vent.
- 6.12 Apply a plaster finish to the chimney breast.

Installation Instructions

7. All types of Installation - Wall Box & Batteries

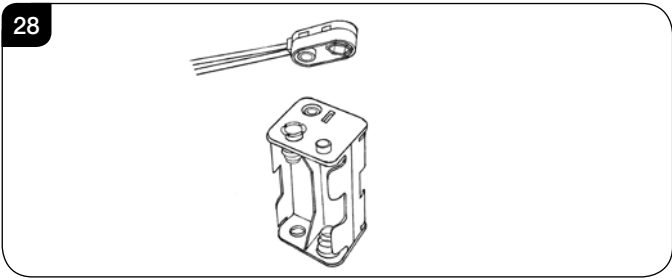
i Please note: As an optional extra Gazco can provide a mains adapter to supply constant power to the appliance control box instead of the battery pack.
If installing an appliance with the adapter make provision for a mains power socket within 1.5m of the control box and follow the instructions provided.

When installing the wall box allow at least 100mm of slack wire in the battery lead where it enters the appliance on the right hand side. This allows the removal of the control assembly during servicing.

7.1 Decide on the position for the wall box containing the batteries and wall plate and cut the necessary hole.

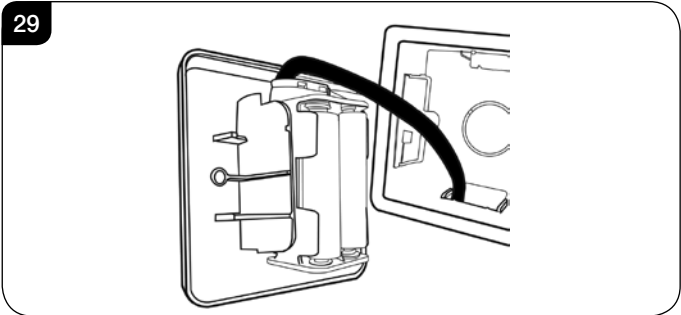
A battery power supply cable is supplied and pre-fitted to the appliance control. Provision is made for the cable to exit either the left or right of the appliance through the grommet. The cable is 3 metres long.

7.2 Connect the wire from the appliance to the battery pack, see Diagram 28.

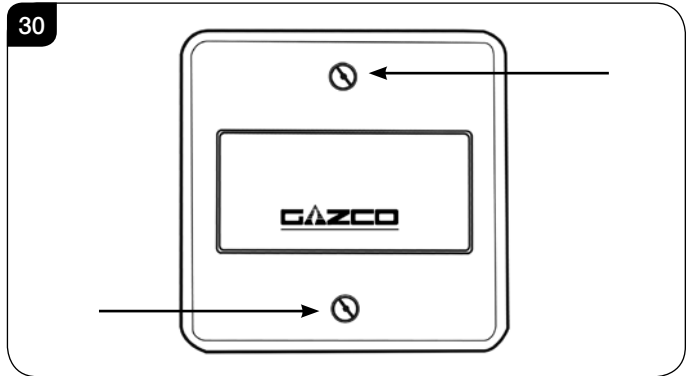


i It is essential to use high quality batteries (Duracell or equivalent) when replacing batteries in the handset or control box.

7.3 Correctly position the four new AA size batteries and re-assemble the battery holder as shown, see Diagram 29.



7.4 Secure the wall plate to the wall box using the two fixing screws, see Diagram 30.



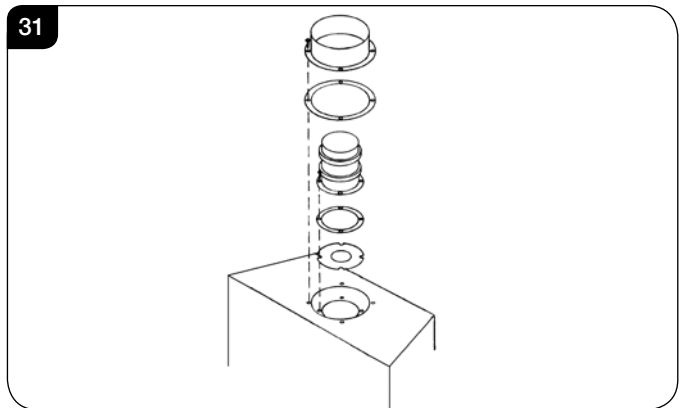
i **IMPORTANT**
The wall plate must be installed using a non-metallic mounting box, please ensure that the plastic dry lining box is used wherever possible. If it is intended to install the wall plate into masonry it is possible to drill through the rear of this box and secure in position using wall plugs and screws although a small amount of finishing work will be required to cover the plastic side securing tags. Alternatively a standard 47mm deep pattress box can be used to surface mount the wall plate.

PLEASE ENSURE NO WIRES ARE TRAPPED BEFORE REPLACING THE WALL PLATE. THE LEAD IS EASILY DAMAGED.

8. Flue Assembly

8.1 See Site Requirements, Section 2, Flue Options.

TAKE CARE WHEN MARKING OUT FOR THE FLUE AS IT IS DIFFICULT TO MOVE AFTER INSTALLATION. IF A RESTRICTOR IS REQUIRED FIT THIS BETWEEN THE SMALL OUTLET SPIGOT AND THE AIR DUCT, SEE DIAGRAM 31. REFER TO TECHNICAL SPECIFICATIONS FOR RESTRICTOR SIZE.

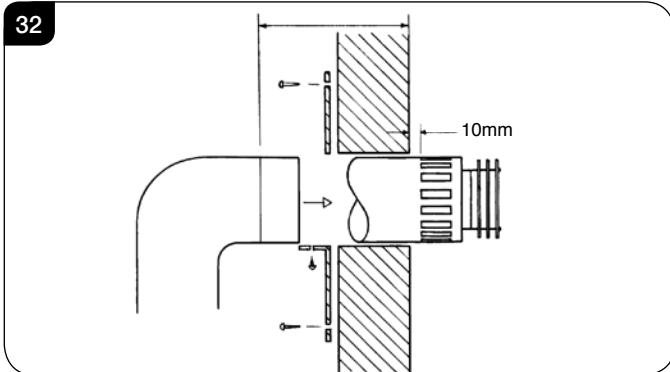


8.2 A 152mm (6") diameter hole in the wall is required to install the flue. This can be achieved by using either:

- a) Core drill
- b) Hammer and chisel

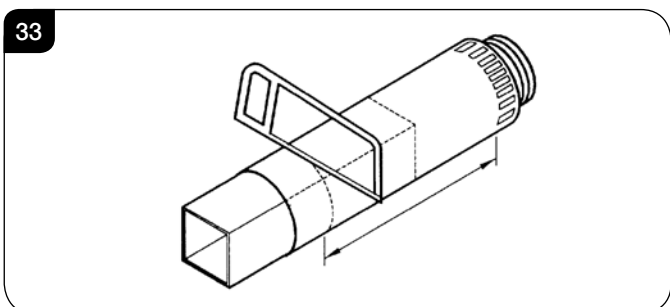
Installation Instructions

- 8.3 Drill small holes around the circumference when using method b). Make good both ends of the hole.
- 8.4 Allow enough room either above or to the side of the appliance to assemble the flue on top.
- 8.5 Assemble a horizontal flue in the following order:
- Vertical section
 - 90° elbow
 - Horizontal plus terminal
- 8.6 Support the opening of a masonry installation with a lintel.
- 8.7 Only the horizontal terminal section can be reduced in size.
- To find the length:
- 8.8 Measure from the outside of the wall to the stop on the 90° elbow.
- 8.9 **Add 10mm to the outlet end.**
- 8.10 Measure from the edge of the slots closest to the wall.
- 8.11 Mark around the flue, see Diagram 32.



A wall plate is supplied to fix the flue to the wall:

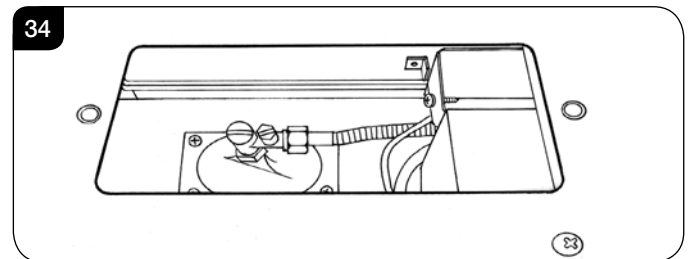
- 8.12 Bend the tab to 90°.
- 8.13 Assemble the plate onto the flue but do not secure to wall until the flue is fully assembled, see Diagram 32.
- 8.14 The cardboard fitment in the terminal is used to support the flue whilst it is cut to length. **ONCE CUT TO SIZE REMOVE THE CARDBOARD REMNANT**, see Diagram 33.



- 8.15 Remove the compression elbow from the appliance and connect it to the gas supply pipe.

As the appliance is fitted into the enclosure:

- 8.16 Pass the elbow and supply pipe through the silicone panel on the LEFT HAND side.
- 8.17 **PURGE THE SUPPLY PIPE.** This is essential to expel any debris that may block the gas controls.
- 8.18 Connect the elbow to the appliance inlet pipe, see Diagram 34.



- 8.19 Connect a suitable pressure gauge to the test point located on the inlet fitting.
- 8.20 Turn on the gas.
- 8.21 Light the appliance and check for leaks.
- 8.22 Turn the appliance to maximum and check that the supply pressure is as stated on the data badge.
- 8.23 Turn off the gas and replace the test point screw.
- 8.24 Turn the gas back on and check the test point for leaks.

9. Assembling the Appliance

- 9.1 The Studio appliances have the option of 3 different liner finishes:

- Vermiculite
- Black Reeded Panels
- Black Glass Linings

Vermiculite & Black Reeded

NOTE: ALL FRONT PANELS AND THE STUDIO 3 REAR PANELS ARE IN TWO PIECES.

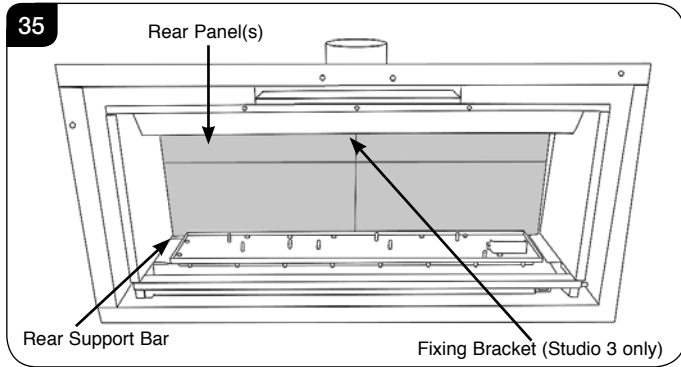
STUDIO 1 & 2: HOLD THE REAR PANELS UNTIL ALL THE OTHER PANELS ARE IN PLACE AS THEY CAN FALL FORWARD.

STUDIO 3 HAS A TOP BRACKET TO SECURE THE PANELS THIS MUST BE REMOVED PRIOR TO ATTEMPTING TO FIT THE REAR PANELS.

- 9.2 **Studio 2 & 3 Only** - The appliance is supplied with 2 sets of lower side panels. The shorter set is to be used with vermiculite and black reeded panels.

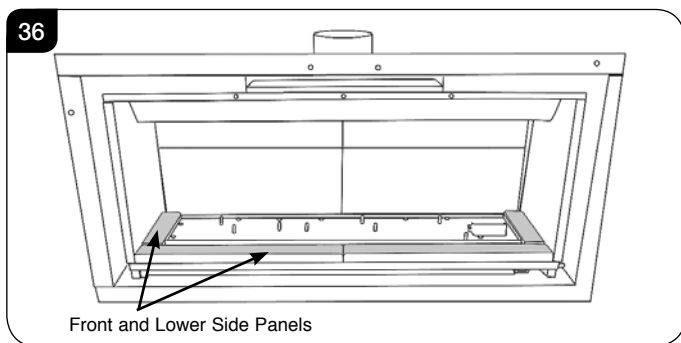
Installation Instructions

- 9.3 Place the rear panel(s) behind the locating bracket on the rear support bar.
- 9.4 Centralise the rear panel(s) with the chamfers touching and pushed together, see Diagram 35.

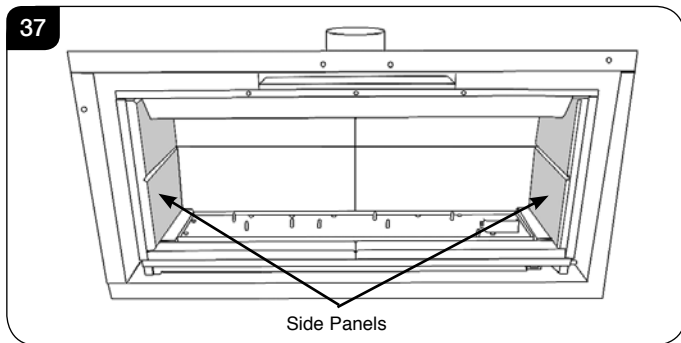


If installing the panels on a Studio 3 model replace the L shaped fixing bracket at the top rear of the firebox to hold the two rear liners in place.

- 9.5 Place the lower side and front panels in position so the chamfers meet at the front edge of the burner.
- 9.6 Ensure the 2-piece front panels are engaged against the centre support tags on the burner and are pushed together in the middle, see Diagram 36.



- 9.7 Slide the 2 side panels up to the rear panel, see Diagram 37.



NOTE: THE HORIZONTAL CHAMFERS MUST ALIGN ON THE REAR AND SIDE PIECES.

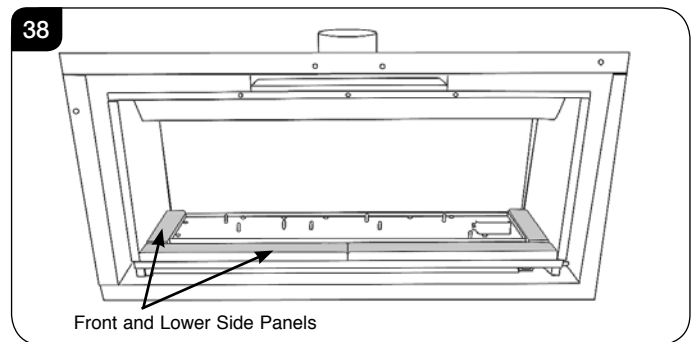
Black Glass

NOTE: ALL REAR PANELS ARE ONE PIECE.

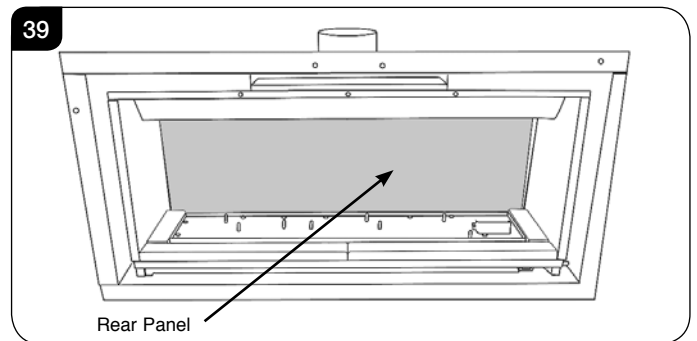
HOLD THE REAR PANEL UNTIL ALL THE OTHER PANELS ARE IN PLACE AS THEY CAN FALL FORWARD.

STUDIO 3 HAS A TOP BRACKET TO SECURE THE PANELS THIS MUST BE REMOVED PRIOR TO ATTEMPTING TO FIT THE REAR PANELS.

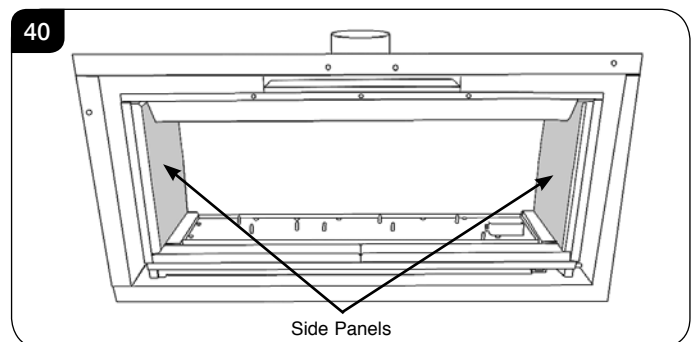
- 9.8 **Studio 2 & 3 Only** - The appliance is supplied with 2 sets of lower side panels. The longer set is to be used with black glass panels.
- 9.9 Place the lower side and front panels in position so the chamfers meet at the front edge of the burner.
- 9.10 Ensure the 2-piece front panels are engaged against the centre support tags on the burner and are pushed together in the middle, see Diagram 38.



- 9.11 Fit and centralise the rear panel, see Diagram 39.



- 9.12 Slide the 2 side panels up to the rear panel, see Diagram 40.



Installation Instructions

10. Arrangement of the fuel bed

Advice on handling and disposal of fire ceramics



The fuel effect of the log version of this appliance is made from Refractory Ceramic Fibre (RCF), a material which is commonly used for this application.

Protective clothing is not required when handling these articles, but we recommend you follow normal hygiene rules of not smoking, eating or drinking in the work area and always wash your hands before eating or drinking.

To ensure that the release of RCF fibres are kept to a minimum, during installation and servicing a HEPA filtered vacuum is recommended to remove any dust accumulated in and around the appliance before and after working on it. When servicing the appliance it is recommended that the replaced items are not broken up, but are sealed within heavy duty polythene bags and labelled as RCF waste.

RCF waste is classed as stable, non-reactive hazardous waste and may be disposed of at a licensed landfill site.

Excessive exposure to these materials may cause temporary irritation to eyes, skin and respiratory tract; wash hands thoroughly after handling the material.

- 10.1 **White Stone Effect:** To replace the white stone effect, make sure they are flattened so they are level with the rim of the tray.
- 10.2 **Lava Rock for Log & Driftwood Log Layout:** Use the entire bag of supplied Lava Rock.

TAKE CARE NOT TO SPILL THE EFFECT INTO THE PILOT AREA.

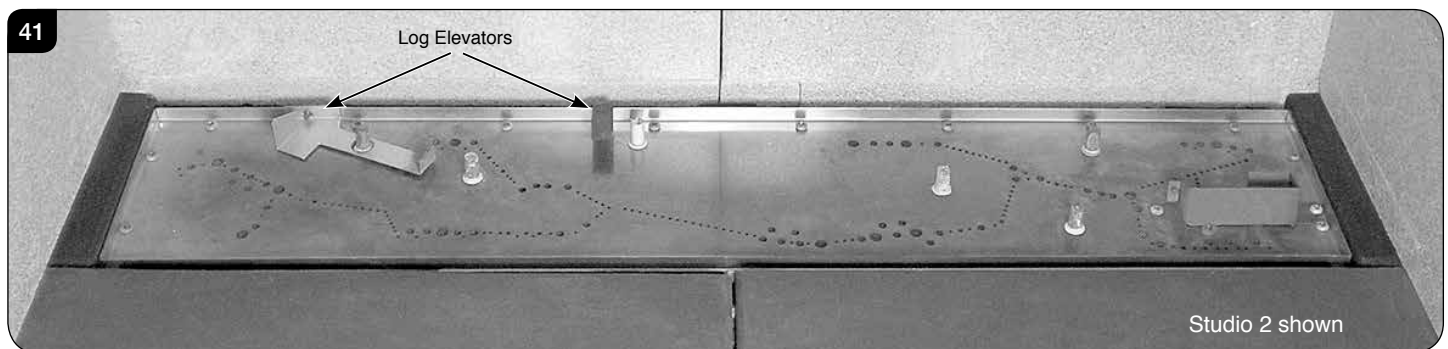
STACK STONES EFFECT IN FRONT OF THE PILOT SHIELD TO OBSCURE THE BLACK METAL SHIELD.

ONLY GENUINE GAZCO PARTS CAN BE USED IN THIS APPLIANCE.

11. Pebble & Stone Layout

PEBBLES & STONES MUST BE POSITIONED ACCORDING TO THE FOLLOWING INSTRUCTIONS TO GIVE THE CORRECT FLAME EFFECT.

The burner tray on each model has log elevators that must be removed prior to positioning the pebble and stone effect, see Diagram 41 for example.



- Studio 1 - 1 log elevator
- Studio 2 - 2 log elevators
- Studio 3 - 2 log elevators

Installation Instructions

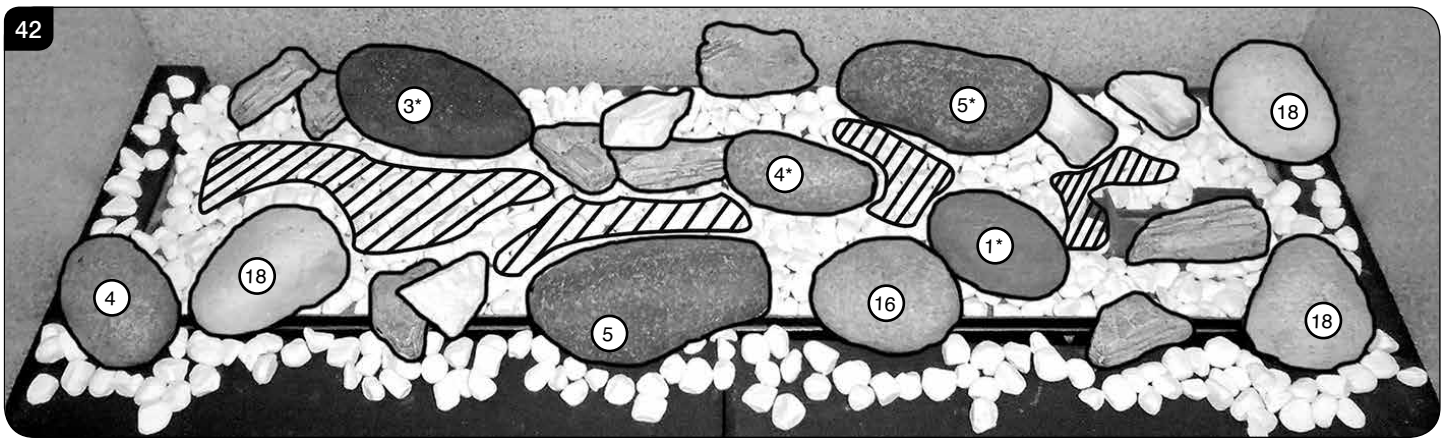
Layout for Studio 1

All pebbles can be identified by a number (ranging 1 - 18) on their underside. Pebbles 1, 3, 4, 5 & 12 have holes which locate onto a burner stud (please note that the Studio 1 does not have Pebble 12.)

- 11.1 Evenly spread the white stones over the fuel bed.
- 11.2 Position Pebbles 3*, 4*, 5* & 1* on to the locating studs in the burner tray.
NOTE: Pebble 4 on the front left corner of the burner tray and Pebble 5 on the front edge do not have a locating stud.

Once in position, place the remaining pebbles and embers in the below order, see Diagram 42.

Sparingly spread an amount of the Embaglow fibres provided, covering the ports in the burner tray, see Diagram 42.
Ensure the material is placed loosely to create a random glow.
Take care not to use more than half a packet per application.
WARNING - DO NOT PLACE NEAR THE PILOT AREA.



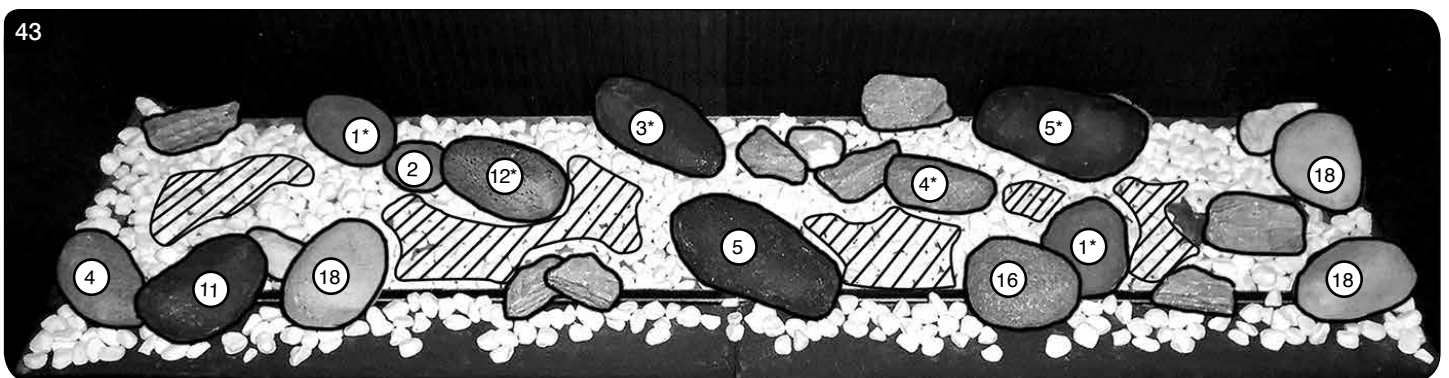
Layout for Studio 2

All pebbles can be identified by a number (ranging 1 - 18) on their underside. Pebbles 1, 3, 4, 5 & 12 have holes which locate onto a burner stud.

- 11.3 Evenly spread the white stones over the fuel bed.
- 11.4 Position Pebbles 1*, 12*, 3*, 4*, 5* & 1* on to the locating studs in the burner tray.
NOTE: Pebble 4 on the front left corner of the burner tray and Pebble 5 on the front edge do not have a locating stud.

Once in position, place the remaining pebbles and embers in the below order, see Diagram 43.

Sparingly spread an amount of the Embaglow fibres provided, covering the ports in the burner tray, see Diagram 43.
Ensure the material is placed loosely to create a random glow.
Take care not to use more than half a packet per application.
WARNING - DO NOT PLACE NEAR THE PILOT AREA.



Installation Instructions

Layout for Studio 3

The main pebbles can be identified by a number (ranging 1 - 18) on their underside. Pebbles 1, 3, 4, 5 & 12 have holes which locate onto a burner stud. The additional smaller pebbles are placed in between as shown below.

- 11.5 Evenly spread the white stones over the fuel bed.
- 11.6 Position Pebbles 3 x 1*, 4*, 3 x 5* & 12* on to the locating studs in the burner tray in the below order for your relevant gas type, see Diagram 44 or 45.

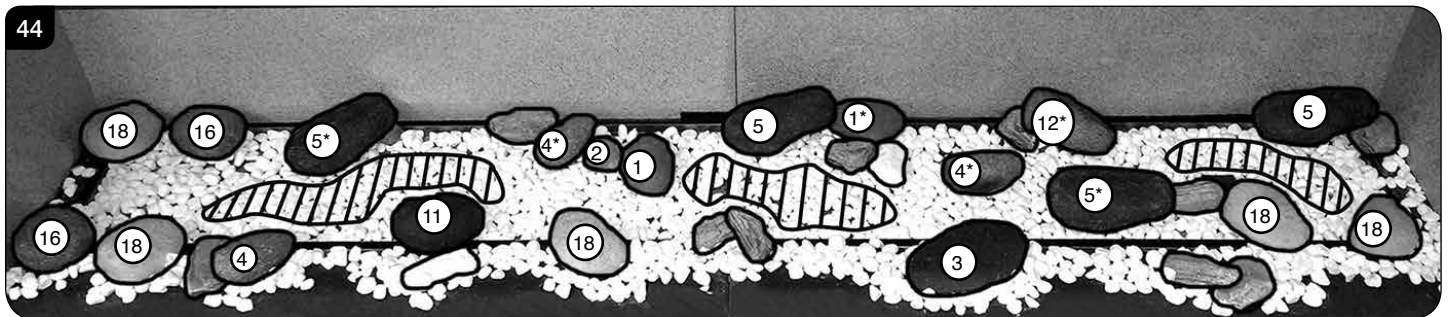
NOTE: Pebble 4 on the front left corner of the burner tray and Pebble 5 on the front edge do not have a locating stud. Once in position, place the remaining pebbles and embers as shown.

Sparingly spread an amount of the Embaglow fibres provided, covering the ports in the burner tray, see Diagram 44 or 45. Ensure the material is placed loosely to create a random glow.

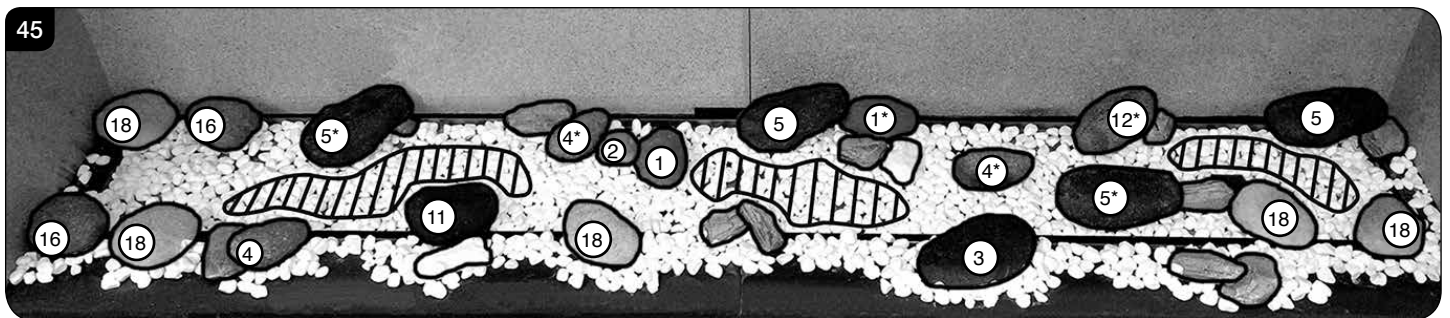
It is necessary to use the whole packet of Embaglow on the Studio 3.

WARNING - DO NOT PLACE NEAR THE PILOT AREA.

Natural Gas



LPG



Installation Instructions

12. Log Layout

LOGS MUST BE POSITIONED ACCORDING TO THE FOLLOWING INSTRUCTIONS TO GIVE THE CORRECT FLAME EFFECT. THERE ARE TWO LOG SETS - AUTHENTIC LOG AND DRIFTWOOD. EACH SET IS FITTED USING THE SAME METHOD.

Layout for Studio 1

All logs can be identified by a letter (A - H) on their underside. Logs C and B have holes to locate each onto a burner stud (please note that the Studio 1 does not have Logs G, E, or F.)

- 12.1 Position log B on the left hand side of the burner tray, locating onto the middle and back left studs and resting on the log elevator.

Cover the remainder of the tray in lava rock, see Diagram 46.

Take care not to spill the lava rock into the pilot area and the air gaps at the front and rear of the burner tray.



The Studio 1 comes with 5 embers in total, 4 small and 1 large.

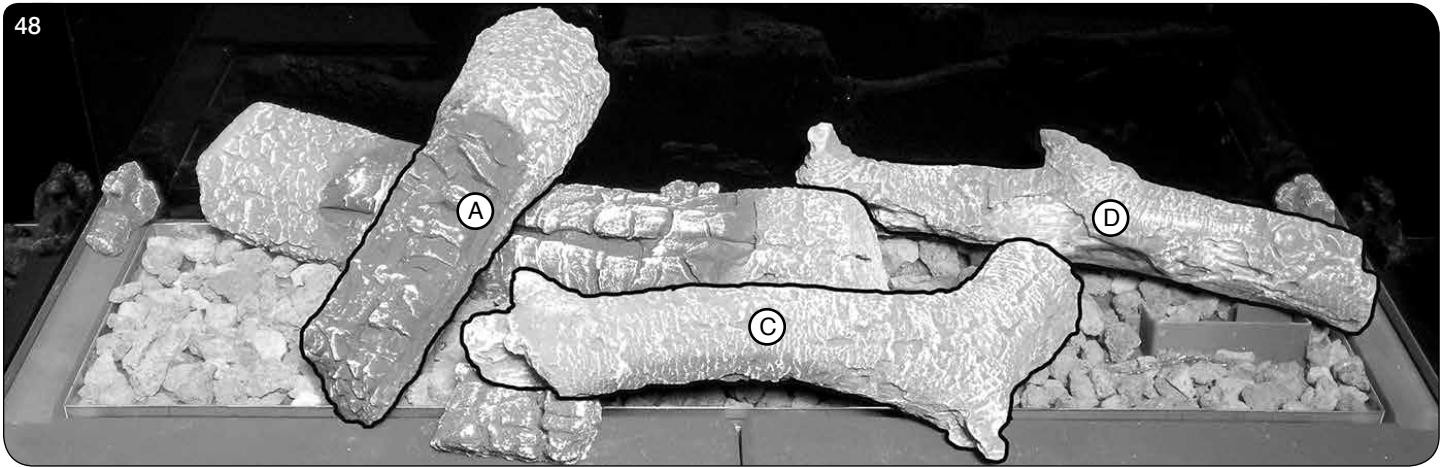
- 12.2 Position the 2 small embers in the left and right back corners, followed by 1 ember in the back centre of the appliance (behind Log B) and one in the front, slightly off-centre, see Diagram 47.

The final ember is placed after all the logs are in position.



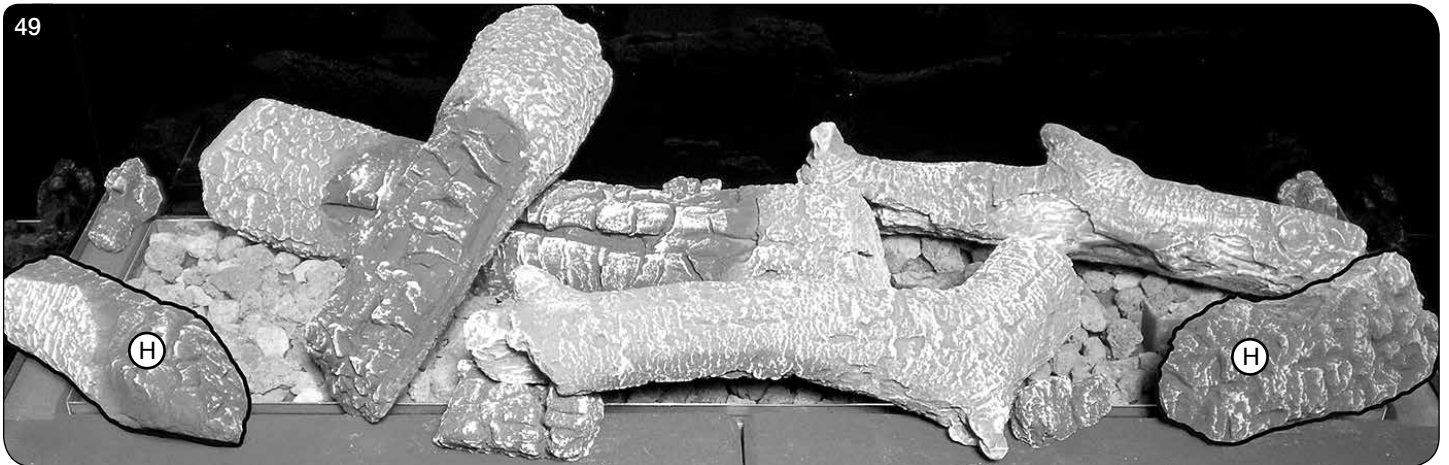
Installation Instructions

- 12.3 Log D is positioned in the rear right hand side of the burner tray, and rests on the Pilot Shield, see Diagram 48.
 Log C Locates on the front right stud, and rests on the front ember, see Diagram 48.
 Log A rests across Log B, and touches the rear panel, see Diagram 48.



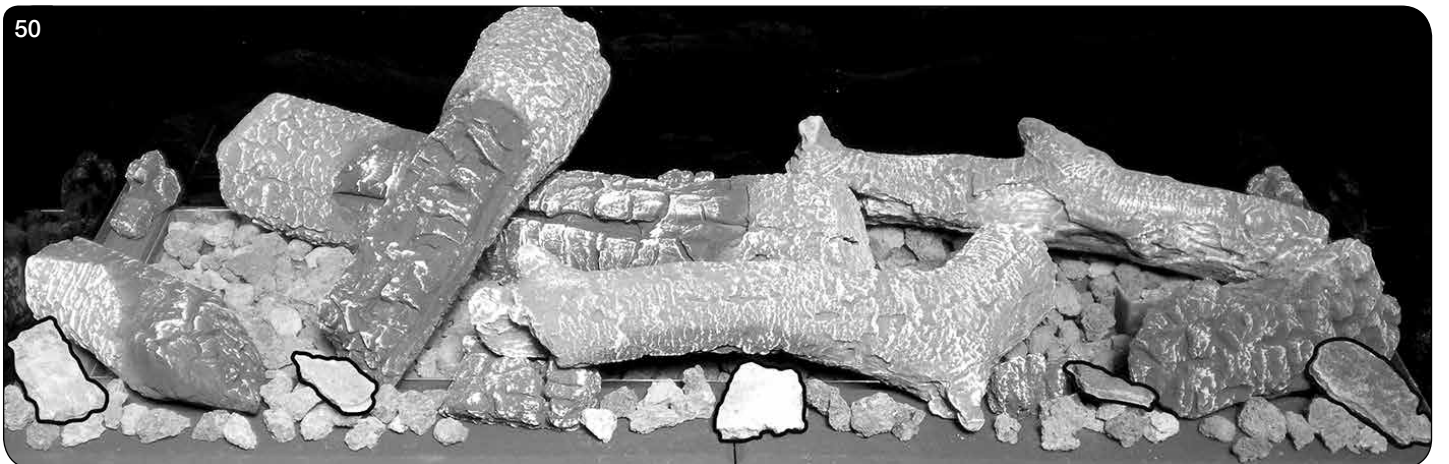
There are 2 Log H's, which are positioned on the front corners of the burner tray.

- 12.4 The left Log H is positioned with the charring facing in to the firebox, and the right is positioned with the charring facing out. Once in position the final ember can be placed between Log C and the right hand Log H, see Diagram 49.



- 12.5 Once all the logs are in place, spread the remaining lava rock across the front and side liners, see Diagram 50. **Take care not to spill the lava rock into the pilot area and the air gaps at the front and rear of the burner tray.**

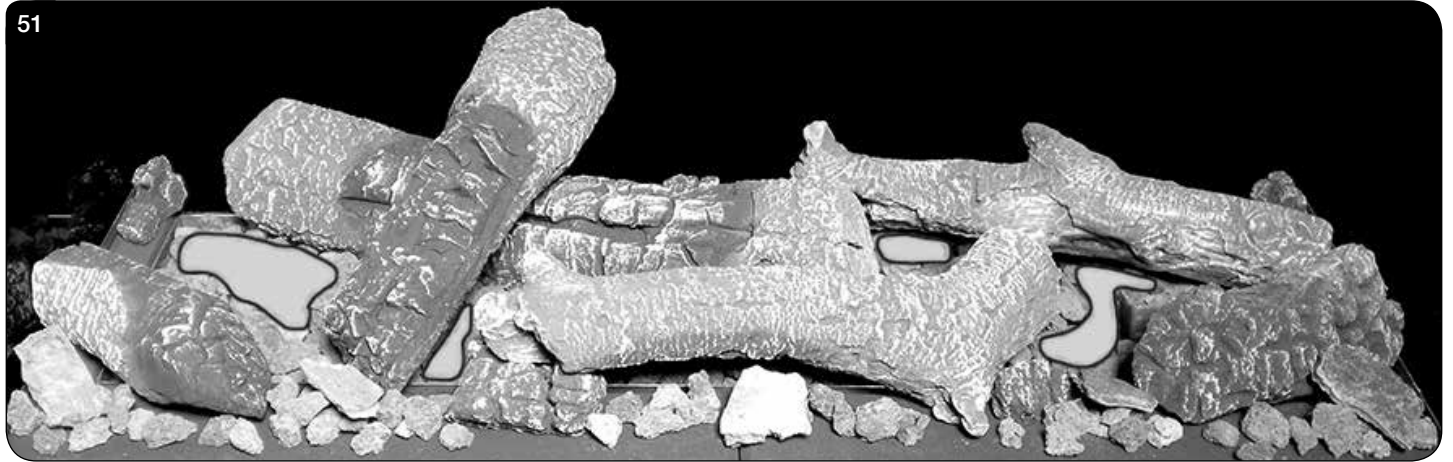
- 12.6 Break the pieces of slate into 2 pieces and spread randomly across the front liner, see Diagram 50.



Installation Instructions

Separate the Embaglow material into smaller pieces and pull into shape to create a fine layer.

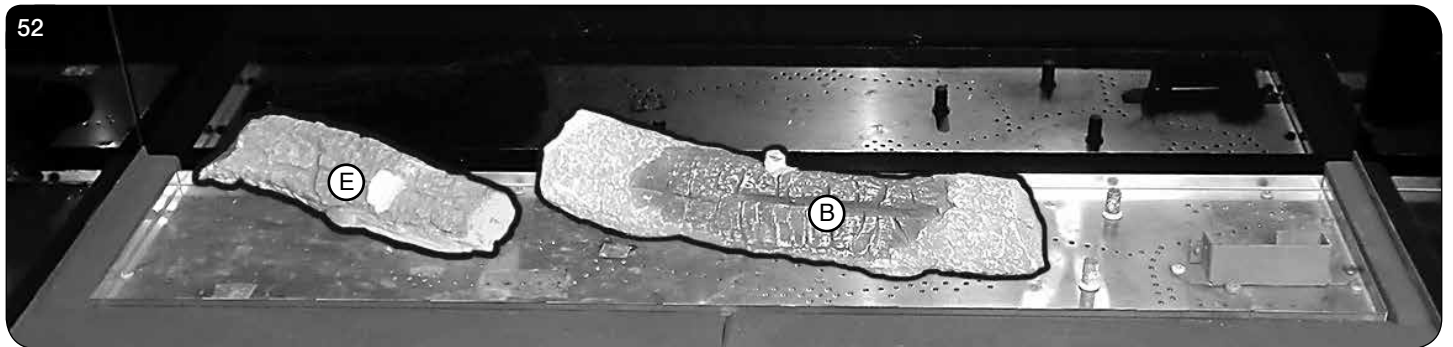
- 12.7 Sparingly spread an amount of the Embaglow fibres provided, covering the ports in the burner tray, see Diagram 51.
Ensure the material is placed loosely to create a random glow.
Take care not to use more than half a packet per application.
WARNING - DO NOT PLACE NEAR THE PILOT AREA.



Layout for Studio 2

All logs can be identified by a letter (A - H) on their underside. Logs, C, E and B, also have holes to locate onto a burner stud.

- 12.8 Log E locates onto the 2 left hand pins and bracket towards the rear of the burner tray, see Diagram 52.
12.9 Log B locates onto the 2 central pins see Diagram 52.



- 12.10 Once in place, spread the lava rock around the burner tray.
Take care not to spill the lava rock into the pilot area and the air gaps at the front and rear of the burner tray.

The Studio 2 comes with 6 embers in total, 5 small and 1 large.

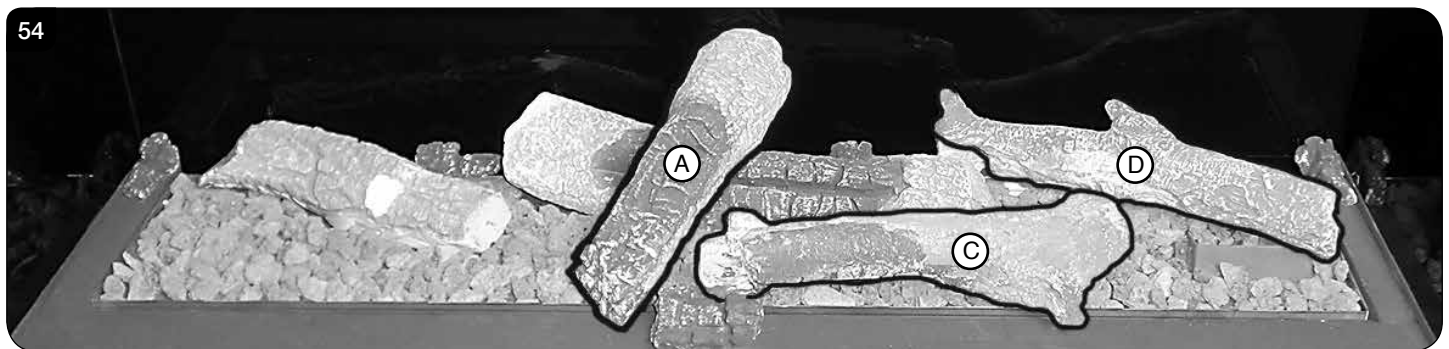
- 12.11 Position 2 small embers in each back corner. The third small ember fits against the back liner, between Logs E and B. The fourth is positioned behind the right hand side of Log B. The large ember is positioned in the middle front of the burner tray, see Diagram 53.

Please note that the final ember is placed after all the logs are in position.



Installation Instructions

- 12.12 Log D is positioned on the right pin to the rear of the burner tray, and rests on the pilot shield, see Diagram 54.
Log C locates onto the front right pin and rests on the large ember, see Diagram 54.
Log A fits onto the stud in Log B and extends to the front liner, see Diagram 54.



- 12.13 Log F is positioned in the grooves in Log E and B, and rests on the front liner, see Diagram 55.
There are 2 Log H's, which are positioned on the front liner. The right hand Log H must be placed with the charred side facing out, and the left Log H with the charred side facing in, see Diagram 55.



- 12.14 Log G sits on the left hand and front liner. Once in place the final ember can be positioned to the right of Log C, see Diagram 56.



- 12.15 Once all the logs are in place, spread the remaining lava rock across the front and side liners, see Diagram 57.
Take care not to spill the lava rock into the pilot area and the air gaps at the front and rear of the burner tray.

- 12.16 Break the pieces of slate into 2 pieces and spread randomly across the front liner, see Diagram 57.



Installation Instructions

Separate the Embaglow material into smaller pieces and pull into shape to create a fine layer.

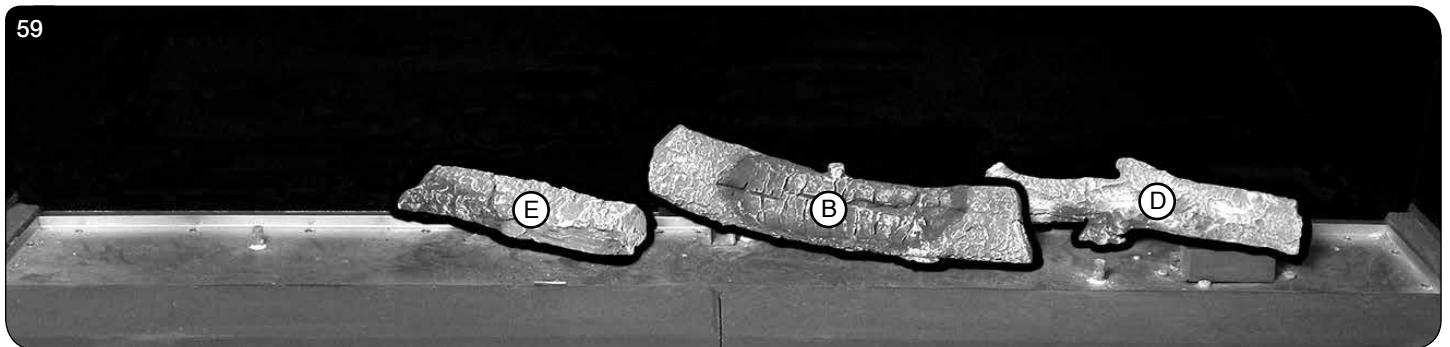
- 12.17 Sparingly spread an amount of the Embaglow fibres provided, covering the ports in the burner tray, see Diagram 58.
Ensure the material is placed loosely to create a random glow.
Take care not to use more than half a packet per application.
WARNING - DO NOT PLACE NEAR THE PILOT AREA.



Layout for Studio 3

All logs can be identified by a letter (A - H & J) on their underside. Logs B, C, D, E and J, also have holes to locate onto a burner stud.

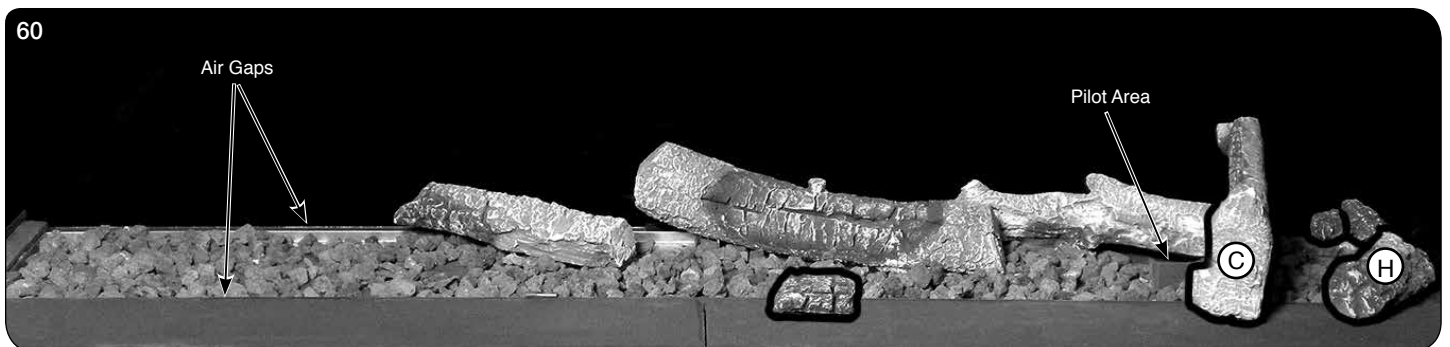
- 12.18 Log E locates onto the left hand middle pin and Log Elevator towards the rear of the burner tray.
Log B locates onto the right hand middle pin and Log Elevator towards the rear of the burner tray.
Log D locates onto the right hand pin and the right hand rests on the far edge of the Pilot Shield, see Diagram 59.



- 12.19 Once in place, spread the lava rock around the burner tray, see Diagram 60.
Take care not to spill the lava rock into the pilot area and the air gaps at the front and rear of the burner tray.

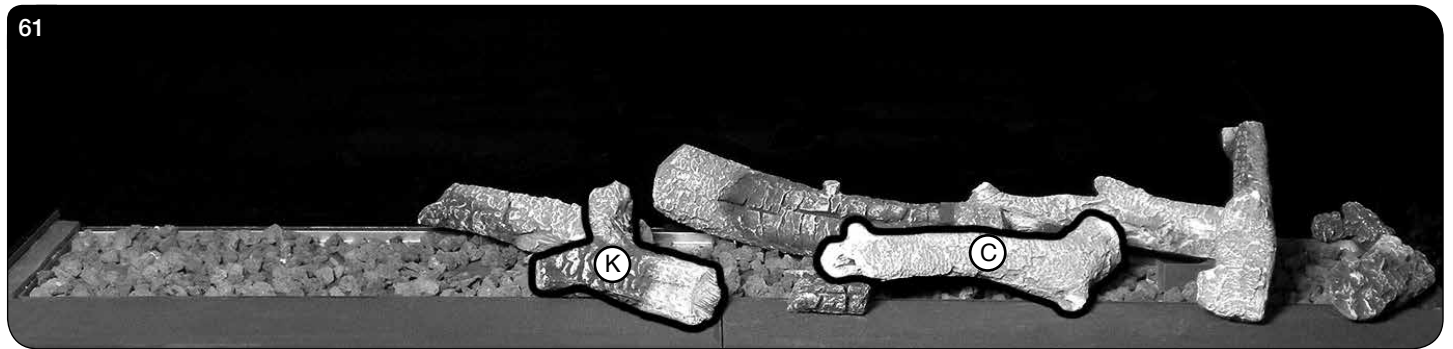
The Studio 3 comes with 4 embers in total, 2 small and 2 large.

- 12.20 Position 2 small embers in the back corner and the large ember on the front tray, see Diagram 60.
The rear of Log C rests on the right hand edge of Log D and place the front on the front lower liner panel, see Diagram 60.
There are 3 x Log H. The first Log H sits in the right hand front corner on the front and side lower liner panels, see Diagram 60.



Installation Instructions

- 12.21 Log K is positioned on the front liner panel with the raised prong resting on the right side of Log E and the lower prong resting on the burner bracket, see Diagram 61.
Log C locates onto the front right pin and rests on the large ember, see Diagram 61.



- 12.22 Log J located onto the far left pin and rests on the edge of the lower front liner panel, see Diagram 62.



- 12.23 Log F sits on the stud in Log J and extends to the front liner, see Diagram 63.
1 x Log H locates in the rear left corner and 1 x Log H sits on the front liner panel, see Diagram 63.



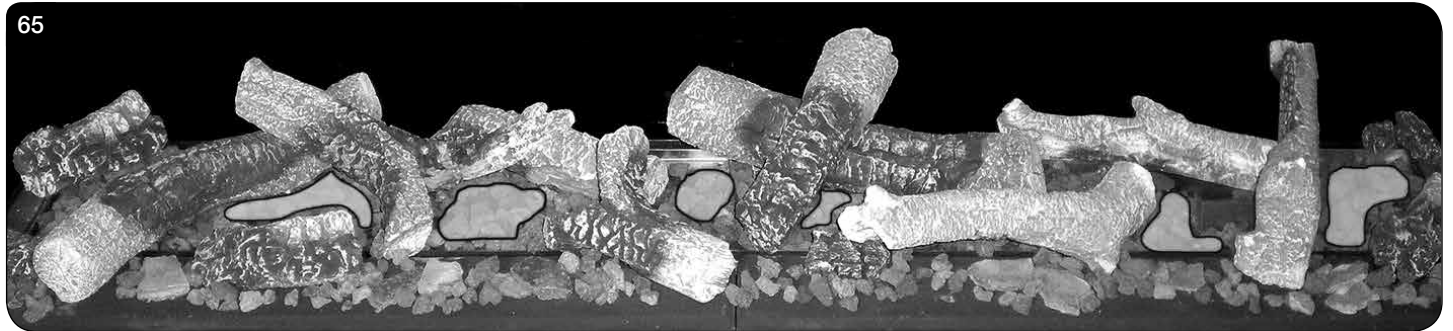
- 12.24 Log A fits onto the stud in Log B and extends to the front liner, see Diagram 64.
Position a large ember in front of the left hand Log H behind Log J, see Diagram 64.
Once all the logs are in place, spread the remaining lava rock across the front and side liners, see Diagram 64.
Take care not to spill the lava rock into the pilot area and the air gaps at the front and rear of the burner tray.

- 12.25 Break the pieces of slate into 2 pieces and spread randomly across the front liner, see Diagram 64.



Installation Instructions

- 12.26 Sparingly spread an amount of the Embaglow fibres provided, covering the ports in the burner tray, see Diagram 65. Ensure the material is placed loosely to create a random glow. It is necessary to use the whole packet of Embaglow on the Studio 3.
WARNING - DO NOT PLACE NEAR THE PILOT AREA.



13. Driftwood Layout

LOGS MUST BE POSITIONED ACCORDING TO THE FOLLOWING INSTRUCTIONS TO GIVE THE CORRECT FLAME EFFECT.

THERE ARE TWO LOG SETS - AUTHENTIC LOG AND DRIFTWOOD. EACH SET IS FITTED USING THE SAME METHOD.

Layout for Studio 1

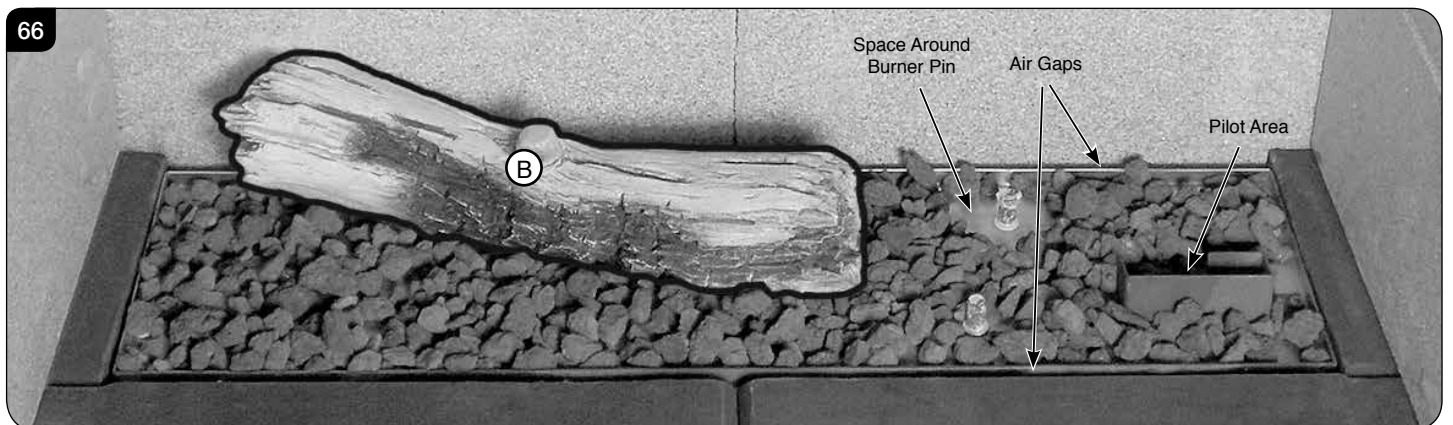
All logs can be identified by a letter (A - H & L) on their underside. Logs C and B have holes to locate each onto a burner stud (please note that the Studio 1 does not have Logs G, E, or F.)

- 13.1 Position log B on the left hand side of the burner tray, locating onto the middle and back left studs and resting on the log elevator.

Cover the remainder of the tray in lava rock, see Diagram 66.

Take care not to spill the lava rock into the pilot area and the air gaps at the front and rear of the burner tray.

Leave the space around the right hand burner pin free from lava rocks for positioning the next log, see Diagram 66.



Installation Instructions

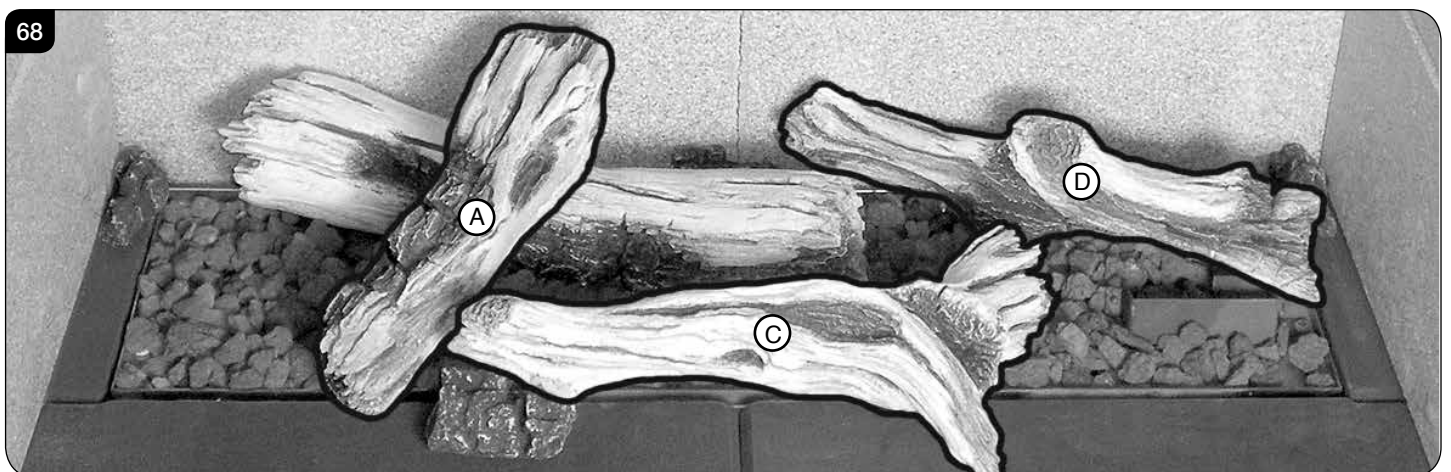
The Studio 1 comes with 6 embers in total, 5 small and 1 large.

- 13.2 Position 2 small embers in the left and right back corners, followed by 1 ember in the back centre of the appliance (behind Log B) and 1 in the front, slightly off-centre, see Diagram 67.

Please note that the final embers are placed after all the logs are in position.



- 13.3 Log D is positioned in the rear right hand side of the burner tray, and rests on the Pilot Shield, see Diagram 68.
Ensure the log rests on the burner tray and not lava rocks.
Log C Locates on the front right stud, and rests on the front ember, see Diagram 68.
Log A fits onto the stud in Log B and extends to the front liner, see Diagram 68.



- 13.4 Log H sits across the right hand and front liners, with the charred side facing out, see Diagram 69.
Log L sits across the left hand and front liners, with the charring facing left, see Diagram 69.
Once all the logs are in place the remaining 2 small embers can be positioned on the front liner.
- 13.5 Position the first small ember between Log C and Log H on the front liner and the second small ember in front of Log C, see Diagram 69.



Installation Instructions

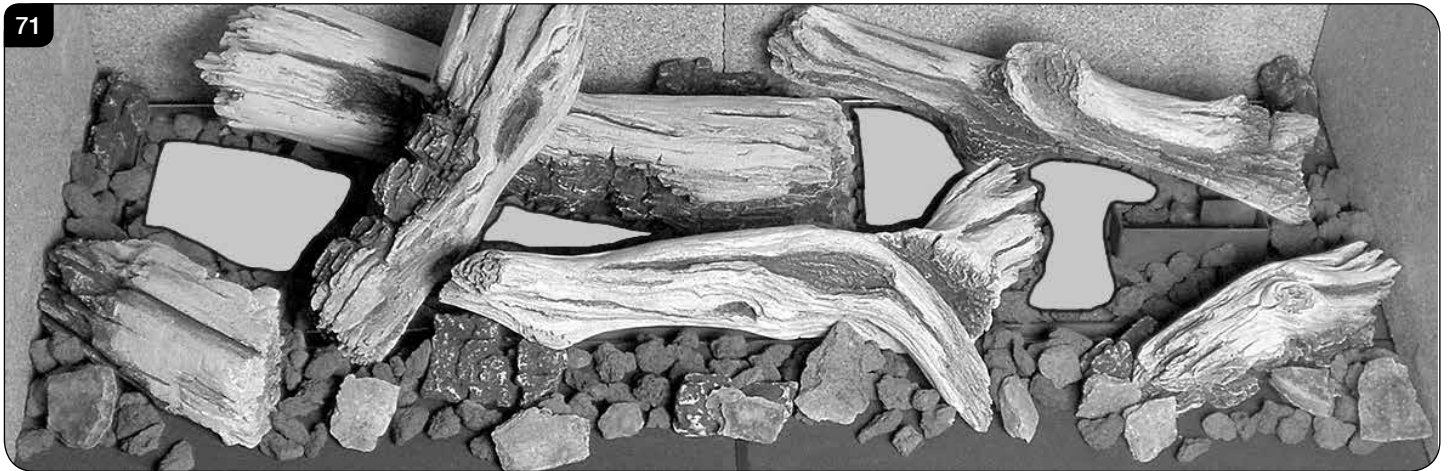
13.6 Once all the logs are in place, spread the remaining lava rock across the front and side liners, see Diagram 70.
Take care not to spill the lava rock into the pilot area and the air gaps at the front and rear of the burner tray.

13.7 Break the pieces of slate into 2 pieces and spread randomly across the front liner, see Diagram 70.



Separate the Embaglow material into smaller pieces and pull into shape to create a fine layer.

13.8 Sparingly spread an amount of the Embaglow fibres provided, covering the ports in the burner tray, see Diagram 71.
Ensure the material is placed loosely to create a random glow.
Take care not to use more than half a packet per application.
WARNING - DO NOT PLACE NEAR THE PILOT AREA.

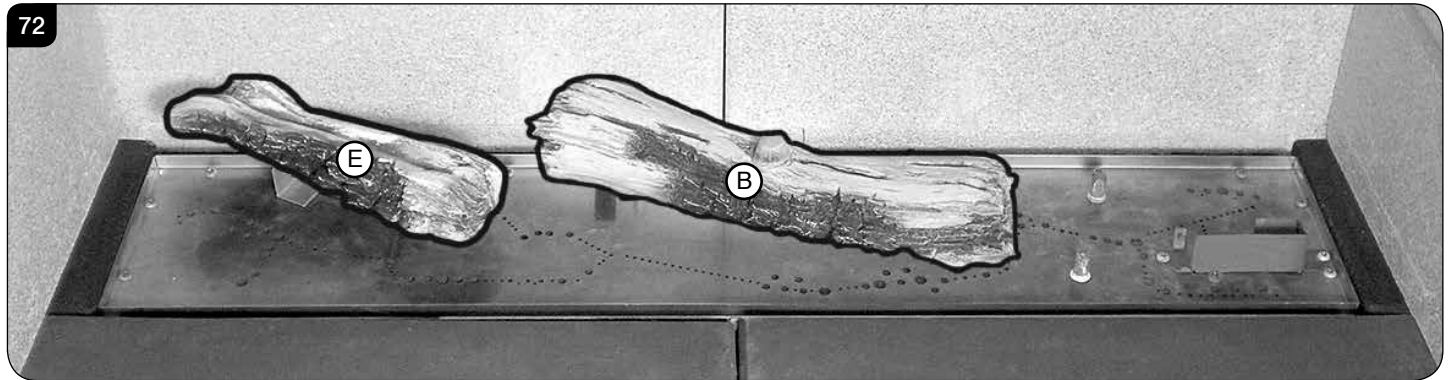


Installation Instructions

Layout for Studio 2

All logs can be identified by a letter (A - H & L) on their underside. Logs, C, E and B, also have holes to locate onto a burner stud.

- 13.9 Log E locates onto the 2 left hand pins and log elevator towards the rear of the burner tray, see Diagram 72.
Log B locates onto the 2 central pins and central log elevator, see Diagram 72.



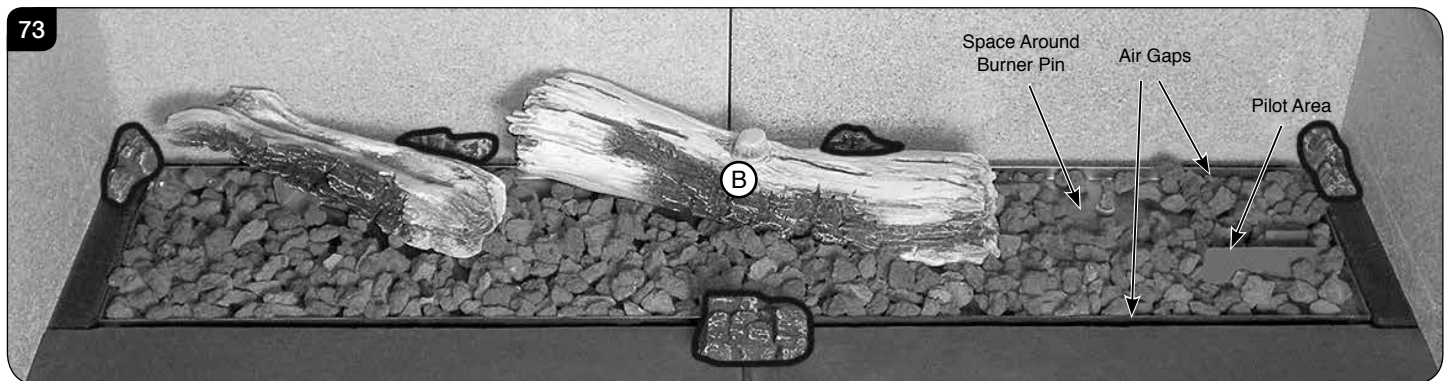
- 13.10 Once in place, spread the lava rock around the burner tray, see Diagram 73.
Take care not to spill the lava rock into the pilot area and the air gaps at the front and rear of the burner tray.

Leave the space around the right hand burner pin free from lava rocks for positioning the next log, see Diagram 73.

The Studio 2 comes with 7 embers in total. 6 small and 1 large.

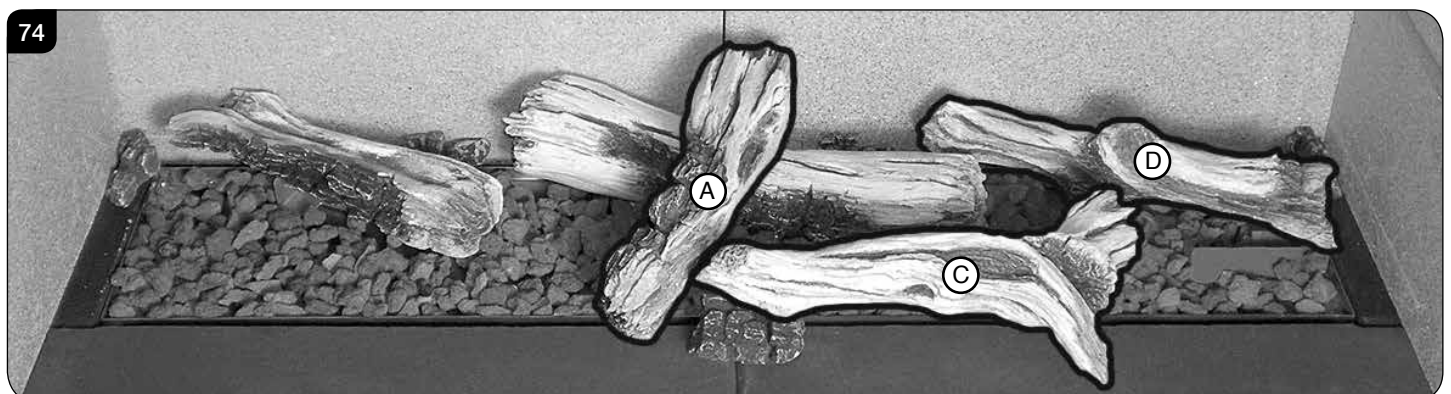
- 13.11 Position 2 small embers in each back corner. The third small ember fits against the back liner, between Logs E and B. The fourth is positioned behind the right hand side of Log B. The large ember is positioned in the middle front of the burner tray, see Diagram 73.

Please note that the final embers are placed after all the logs are in position.



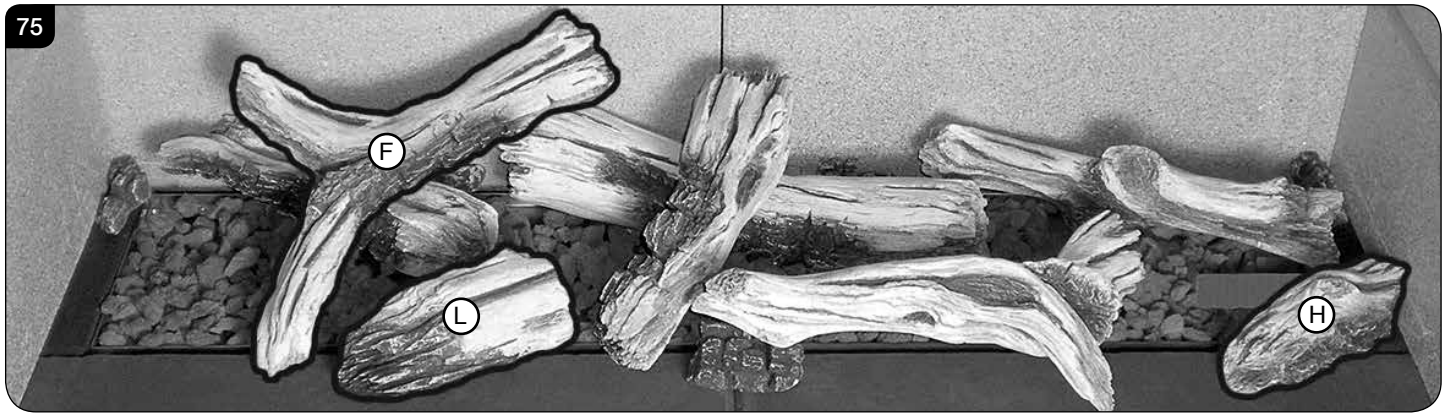
- 13.12 Log D is positioned on the right pin to the rear of the burner tray, and rests on the Pilot Shield, see Diagram 74.
Ensure the log rests on the burner tray and not lava rocks.

Log C locates onto the front right pin and rests on the large ember, see Diagram 74.
Log A fits onto the stud in Log B and extends to the front liner, see Diagram 74.



Installation Instructions

- 13.13 Log F is positioned in the grooves in Log E and B, and rests on the front liner, see Diagram 75.
Log H sits across the right hand and front liners, with the charred side facing out, see Diagram 75.
Position Log L on the front liner between Log F and Log A, see Diagram 75.



- 13.14 Position the left hand side of Log G in the groove of the front air gap with the right hand side resting on Log F, see Diagram 76.

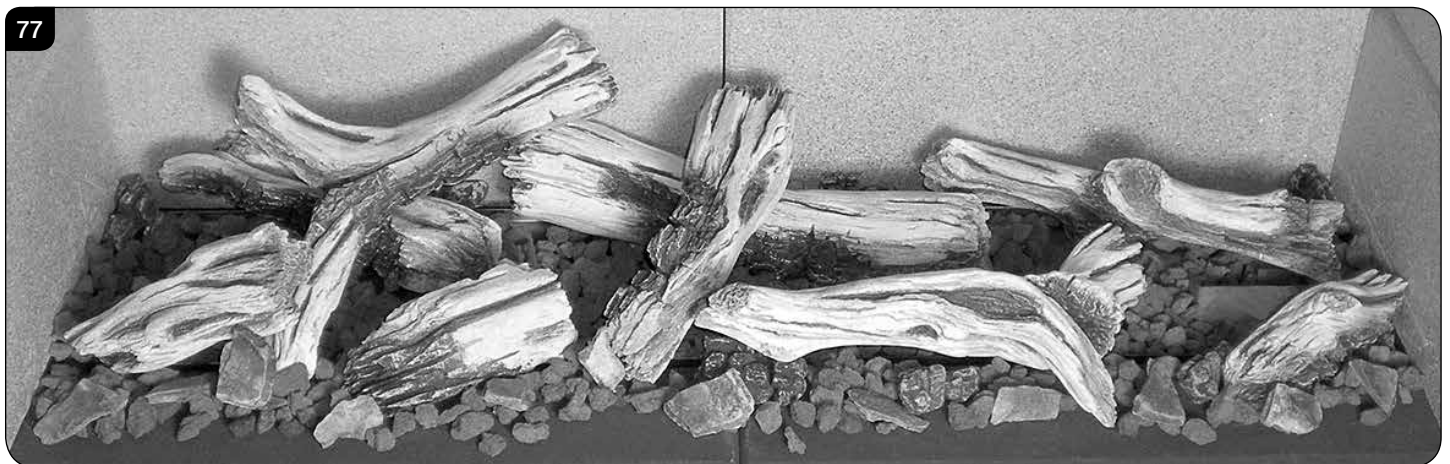
Once all the logs are in place the remaining 2 small embers can be positioned on the front liner.

- 13.15 Position the first small ember between Log C and Log H on the front liner and the second small ember in front of Log C, see Diagram 76.



- 13.16 Once all the logs are in place, spread the remaining lava rock across the front and side liners, see Diagram 77.
Take care not to spill the lava rock into the pilot area and the air gaps at the front and rear of the burner tray.

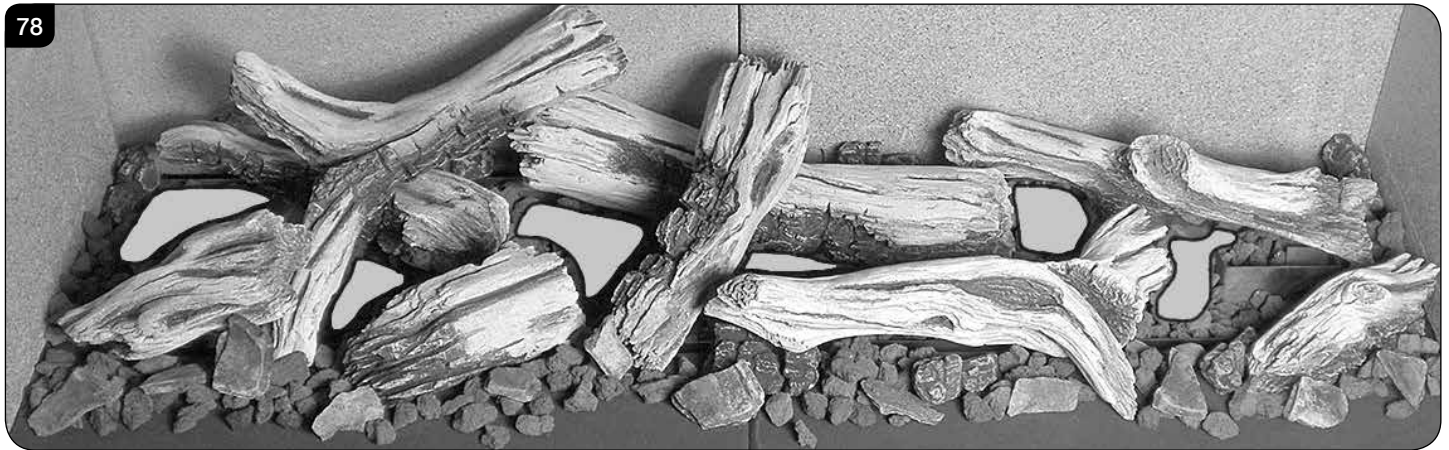
- 13.17 Break the pieces of slate into 2 pieces and spread randomly across the front liner, see Diagram 77.



Installation Instructions

Separate the Embaglow material into smaller pieces and pull into shape to create a fine layer.

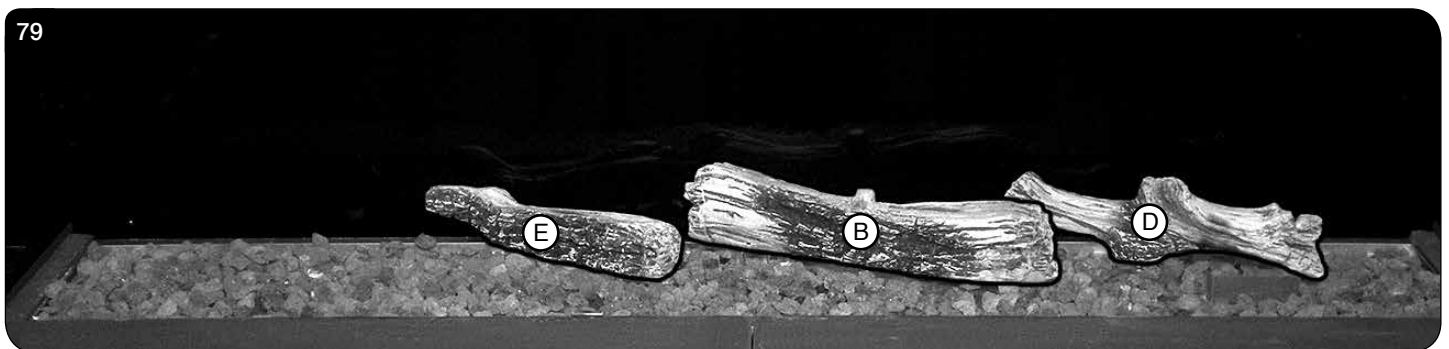
- 13.18 Sparingly spread an amount of the Embaglow fibres provided, covering the ports in the burner tray, see Diagram 78.
Ensure the material is placed loosely to create a random glow.
Take care not to use more than half a packet per application.
WARNING - DO NOT PLACE NEAR THE PILOT AREA.



Layout for Studio 3

All logs can be identified by a letter (A - H, J & M) on their underside. Logs B, C, D, E and J, also have holes to locate onto a burner stud.

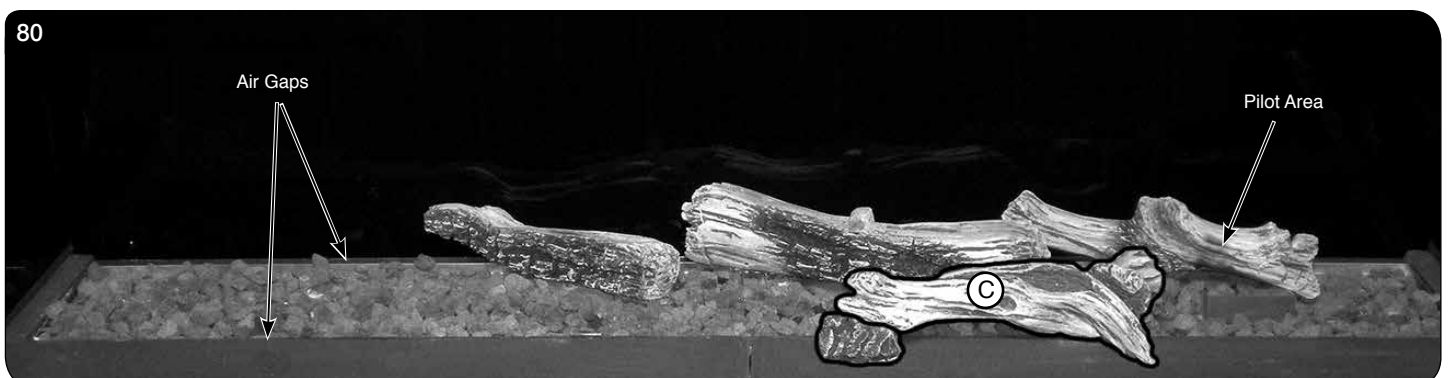
- 13.19 Log E locates onto the left hand middle pin and Log Elevator towards the rear of the burner tray.
Log B locates onto the right hand middle pin and Log Elevator towards the rear of the burner tray.
Log D locates onto the right hand pin and the right hand rests on the far edge of the Pilot Shield, see Diagram 79.



- 13.20 Once in place, spread the lava rock around the burner tray, see Diagram 80.
Take care not to spill the lava rock into the pilot area and the air gaps at the front and rear of the burner tray.

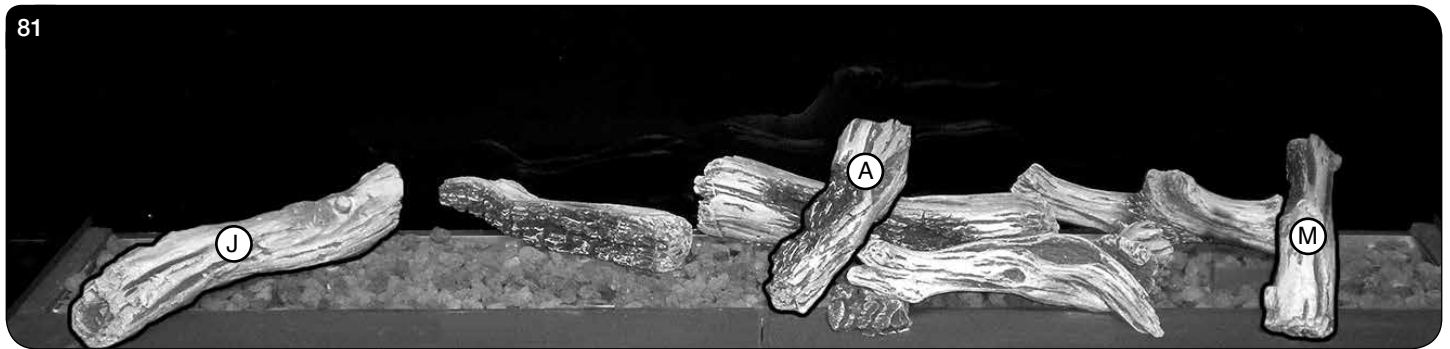
The Studio 3 comes with 4 embers in total, 2 small and 2 large.

- 13.21 Position the large ember on the front right lower liner panel, see Diagram 80.
The rear of Log C locates on the burner pin and place the front edge sits on the large ember, see Diagram 80.

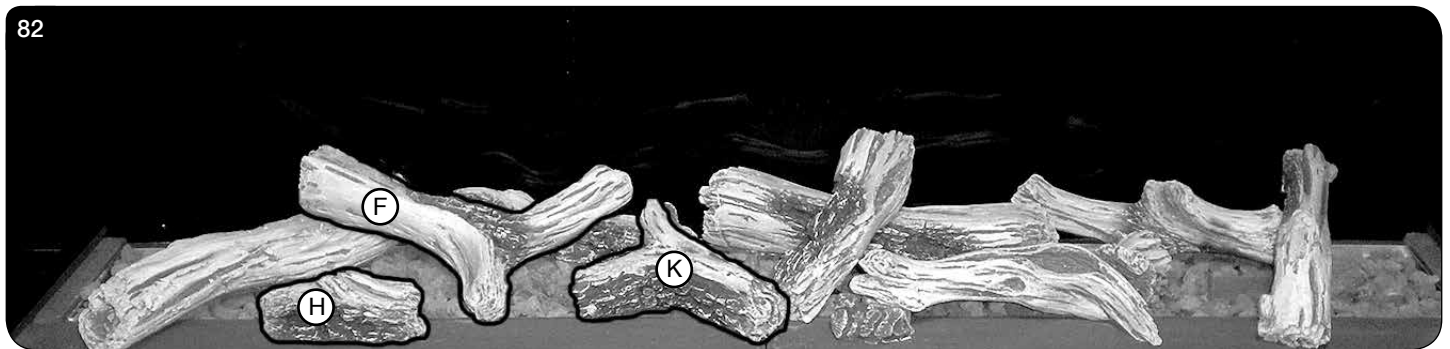


Installation Instructions

- 13.22 Log J is positioned on the front lower liner panel with the rear resting on the pin at the rear of the fuel bed, see Diagram 81.
Log A located on the stud on Log B and the front edge on the edge of the burner tray, see Diagram 81.
The rear of Log M rests on the right hand edge of Log D and place the front on the front lower liner panel, see Diagram 81.



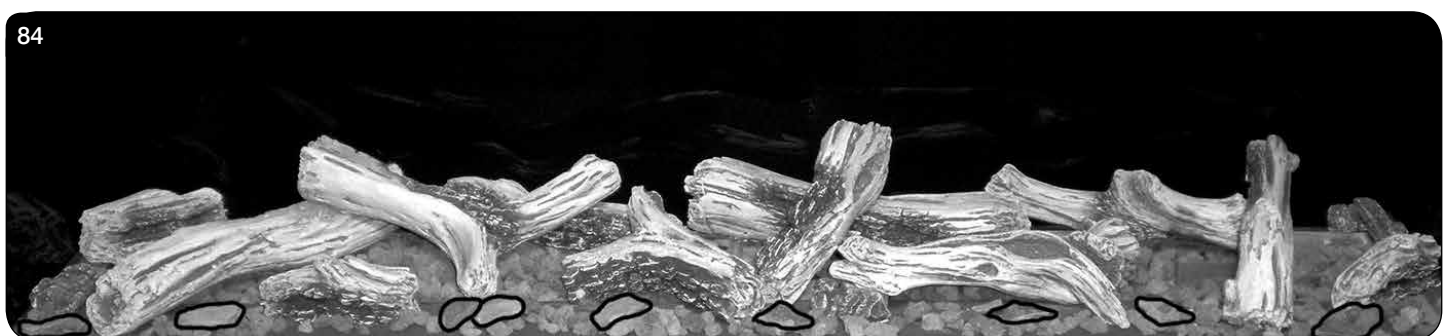
- 13.23 Log F sits on the stud in Log J and extends to the front liner, see Diagram 82.
1 x Log H sits on the front liner panel, see Diagram 82.
Log K is positioned on the front lower liner panel with the raised prong resting on the right side of Log B, see Diagram 82.



- 13.24 1 x Log L locates in the rear left corner and 1 x Log H sits on the front liner panel, see Diagram 83.
Position a large ember in front of the left hand Log L behind Log J, and 2 small embers in the back right hand see Diagram 83.

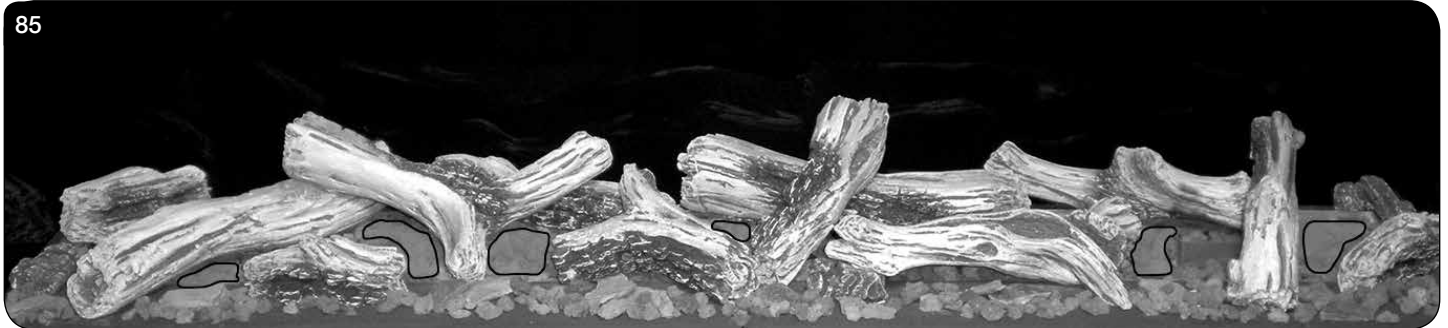


- 13.25 Break the pieces of slate into 2 pieces and spread randomly across the front liner, see Diagram 84.
13.26 Spread the remaining lava rock across the front and side liners, see Diagram 84.
Take care not to spill the lava rock into the pilot area and the air gaps at the front and rear of the burner tray.



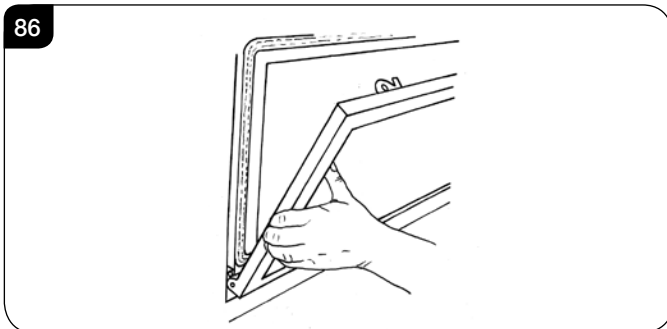
Installation Instructions

- 13.27 Sparingly spread an amount of the Embaglow fibres provided, covering the ports in the burner tray, see Diagram 85.
Ensure the material is placed loosely to create a random glow.
It is necessary to use the whole packet of Embaglow on the Studio 3.
WARNING - DO NOT PLACE NEAR THE PILOT AREA.

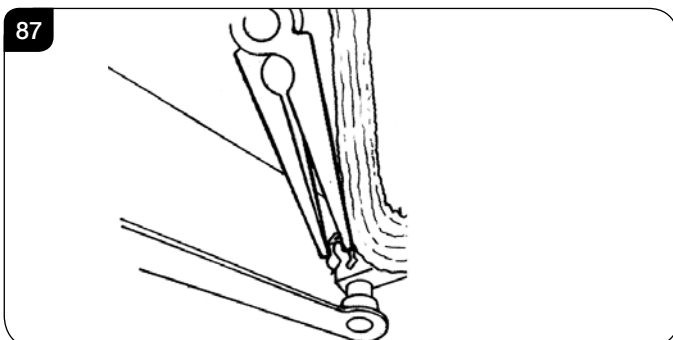


14. Completion of Assembly

- 14.1 To fit the window frame keep the frame in the upright position with the locks uppermost.
14.2 Offer the frame to the foot of the opening.
14.3 Slide the frame to the right to locate the right hinge pin.

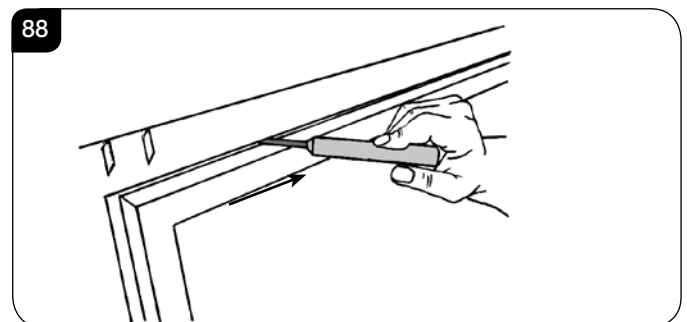


- 14.4 Manoeuvre the frame up towards the left side to locate the left hinge pin.
14.5 Slide onto the hinge with a right movement.
14.6 Secure in place with a spring clip at the right hinge pin, see Diagram 87.



- 14.7 Close the window.

- 14.8 Using the hexagon key provided close the window locks by moving from open to shut towards the window centre, see Diagram 88.



- 14.9 **When closing the door ensure the door catches are fully engaged.**



UNDER NO CIRCUMSTANCES SHOULD THE APPLIANCE BE USED WITHOUT THE CATCHES HOLDING THE DOOR IN PLACE.

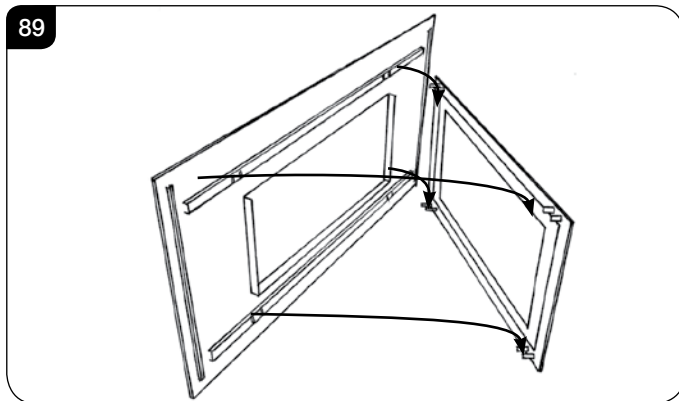
Installation Instructions

15. Decorative Frame

The fitting of the frame requires 2 people.

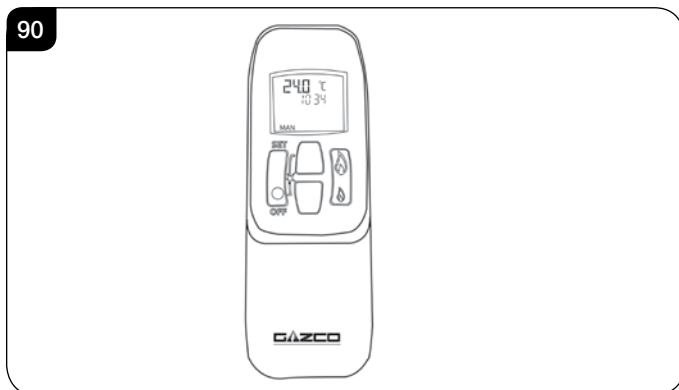
To attach the frame:

- 15.1 Rest the lower fixing angle of the frame onto the bottom brackets attached to the appliance flange.
- 15.2 Lift the upper angle onto the top brackets and lower, see Diagram 89.



16. Lighting the Appliance

The appliance is operated by thermostatic remote control.



This remote controls the appliance from pilot ignition through to shut down.

In 'MANUAL MODE' you can:

- light the pilot.
- turn on the main burner.
- regulate the flame from low to high and back.
- turn off the burner leaving just the pilot burning.

In 'TEMP MODE' you can:

- set the room temperature so the stove automatically maintains that temperature.

In 'TIMER MODE' the fire:

- turns on and off according to the set time periods.
- automatically regulates the room temperature during the set periods.

16.1 Turning the appliance On

Your remote can control the gas fire from pilot ignition through to shut down.

To turn the fire on press the OFF button and the UP button simultaneously. You hear several short signals.

The pilot and main burner ignite and the remote is now in Manual Mode.

Turning the appliance Off:

Press the OFF button to turn the appliance off.

FOR SAFETY, YOU MUST WAIT 30 SECONDS BEFORE LIGHTING THE FIRE AGAIN.



IMPORTANT: YELLOW FLAMES TYPICALLY APPEAR WHEN THE APPLIANCE HAS REACHED NORMAL OPERATING TEMPERATURE. THIS CAN TAKE UP TO 30 MINUTES.



WARNING: IF THE APPLIANCE FAILS TO LIGHT OR BECOMES EXTINGUISHED IN USE, WAIT 3 MINUTES BEFORE ATTEMPTING TO RELIGHT.

FOR FULL OPERATING INSTRUCTIONS AND TROUBLESHOOTING SEE USER SECTION.

Troubleshooting



IMPORTANT: In the unlikely event that the handset fails to communicate correctly with the appliance it may be necessary to turn off the gas supply at the isolation valve until any problems can be resolved.

The gas meter and isolation valve can be located outside in a meter box, under the stairs, beneath the kitchen sink or in the garage. Whilst this list is not exhaustive, it is important to be able to identify the location of the valve in case of any gas emergency.

To turn off the gas supply, simply turn the handle so the lever is at 90 degrees to the upright gas pipe.

If you smell gas, open doors and windows and never operate any electrical switches. Immediately call the Gas Emergency Services on 0800 111 999.

1. Commissioning

- 1.1 Complete the Commissioning Checklist at the front of this manual covering:
- Thermocouple soundness checks.
This is to include ensuring the thermocouple is secure on the pilot bracket assembly, lead connection and integrity.
 - Flue checks
 - Gas checks
 - Log layout - flame picture
- For working pressure test, use the access panel at the gas connection ensuring the burner is in position. Refer to Installation Instructions, Section 8.
- 1.2 Ensure all safety checks listed in the Commissioning Section are completed, paying particular attention to the glass panel checks and securing of the glass frame.
- 1.3 Upon completion of the commissioning and testing of the installation and correct operation of the appliance, the installer must instruct the user how to operate the appliance.
- 1.4 Guide the user through the User Instructions paying particular attention to:
- a) Regular servicing (Section 7 of the User Instructions).
 - b) Ventilation (Section 8 of the User Instructions) - point out the ventilation positions where applicable.
 - c) Hot surfaces (Section 10 of the User Instructions).
 - d) How the appliance works with the remote control handset and the modes of operation (Section 2 of the User Instructions).
 - e) How to change settings in the auto mode and program modes of operation.
 - f) What to do if the appliance fails to operate (Section 11 of the User Instructions).

Reprogramming handset/Control box

To access the control box see Servicing Instructions, Section 7 - Main Control Assembly.

- Press and hold the reset button on the control box until you hear two signals. After the second longer signal:
- Release the reset button and within 20 seconds:
- Press the DOWN button on the handset until you hear two additional short signals confirming the new code is set.
If there is a single long signal the code learning sequence has failed or the wiring is incorrect.

Servicing Instructions

Servicing/Fault Finding Charts

1. Servicing Requirements

IMPORTANT – The glass panel on this appliance should be checked for any signs of damage on the front face of the glass panel (scratches, scores, cracks or other surface defects). If damage is observed, the glass panel must be replaced and the appliance must not be used until a replacement is installed. Under no circumstances should the appliance be used if any damage is observed. Please isolate the appliance until a replacement glass panel has been obtained and installed. Replacement glass panels can be purchased from Gazco via the retailer from which the appliance was purchased or any other Gazco distributor.

This appliance must be serviced at least once a year by a competent person.

All tests must be carried out in accordance with the current GasSafe recommendations.

1.1 Before Testing:

- Conduct a gas soundness test for the property ensuring there are no leaks before servicing.
- Check the operation of the appliance before testing.

1.2 Special checks:

- Clean the burner using a vacuum cleaner with a soft brush attachment. Ensure all debris is removed from the burner ports.

- Clean away lint or fluff from the pilot.
- Clean away lint or fluff from under the burner.
- Check the spark gap on the pilot is correct.

1.3 Correct any faults found during the initial test.

1.4 Re-commission the appliance in accordance with Commissioning Procedures of these instructions.

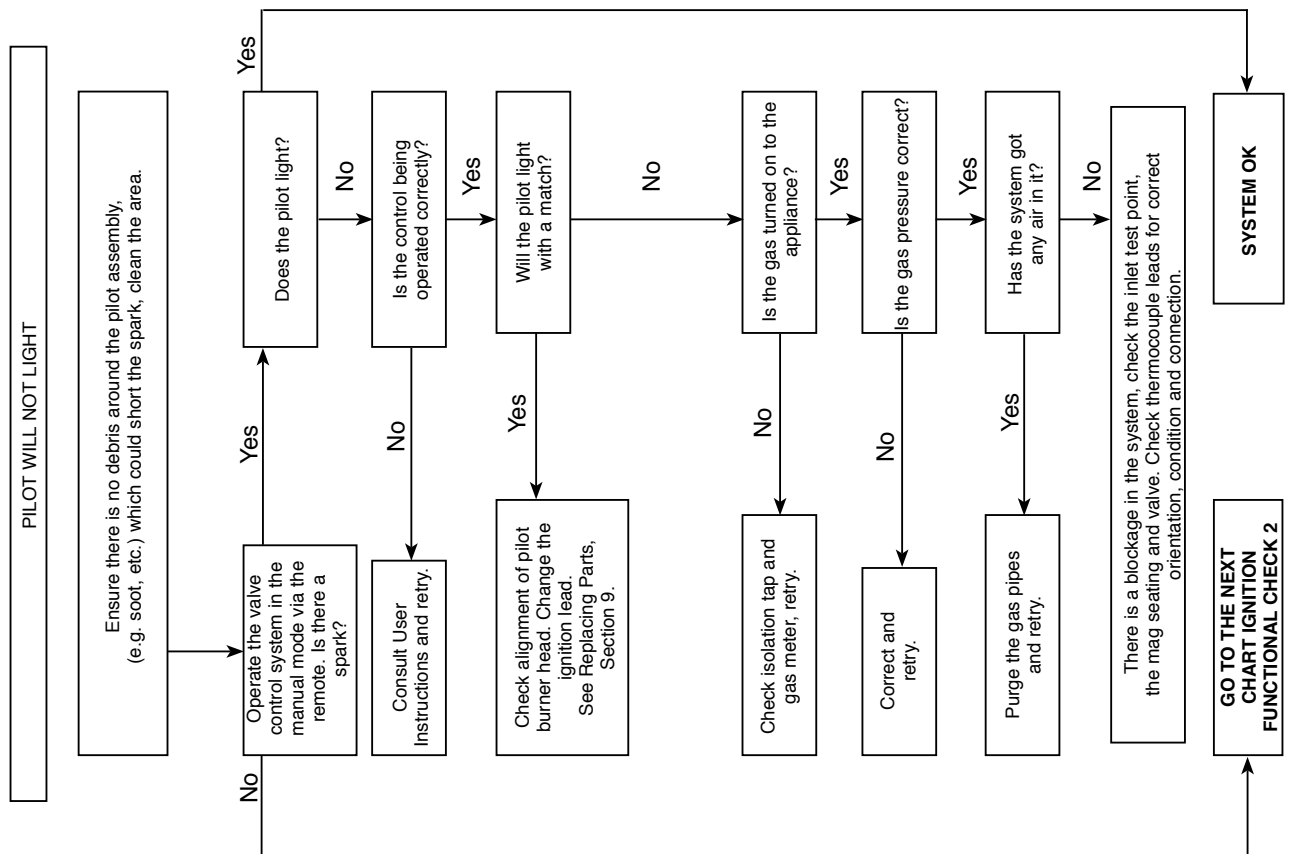
1.5 Advise the customer of any remedial work undertaken.

REPLACE BATTERIES BEFORE ATTEMPTING TO RECTIFY ANY FAULTS.

ELECTRONIC CONTROL VALVE FAULT ANALYSIS

Symptom	Cause	Remedy
Frequent beeps for 3 seconds after operation request	Batteries low in appliance	Replace appliance batteries
No ignition, 5 second continuous tone (there may be several short beeps before)	Loose/damaged wire	Check interrupter block and wires
No ignition, no tone, motor turns slightly when operated	Receiver board damaged	Replace receiver
No pilot flame and control continues to spark	Thermocouple circuit wired incorrectly	Correct wiring
Pilot lights, control continues to spark, valve shuts down after 10 - 30 seconds	1. No spark at pilot burner 2. Loose/damaged wire	1. Rectify spark at pilot burner 2. Check interrupter and wires

IGNITION FUNCTIONAL CHECK 1



Servicing Instructions - Replacing Parts

1. General

- 1.1 All main components can be replaced without removing the appliance from its installation.

IT IS ESSENTIAL THAT THE GAS SUPPLY TO THE APPLIANCE IS TURNED OFF AT THE ISOLATION DEVICE BEFORE PROCEEDING FURTHER.

- 1.2 **DISCONNECT BATTERIES BEFORE SERVICING THE APPLIANCE.**

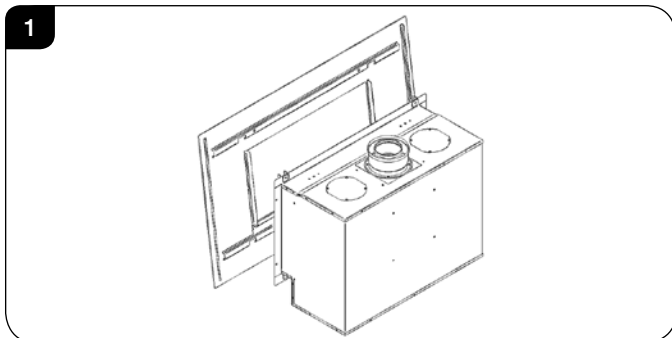
Removal of Flue

- 1.3 **If, for any reason, the flue has to be removed from the appliance, the seal must be replaced in the inner spigot.**
- 1.4 Access to the controls is restricted and the whole control assembly must be removed as one unit (see Section 7).

2. Decorative Frame

The same method is used to remove each frame.

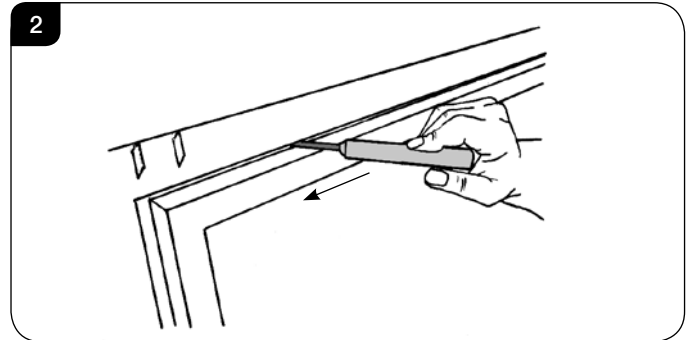
- 2.1 Lift the frame upwards off the four support brackets, see Diagram 1.



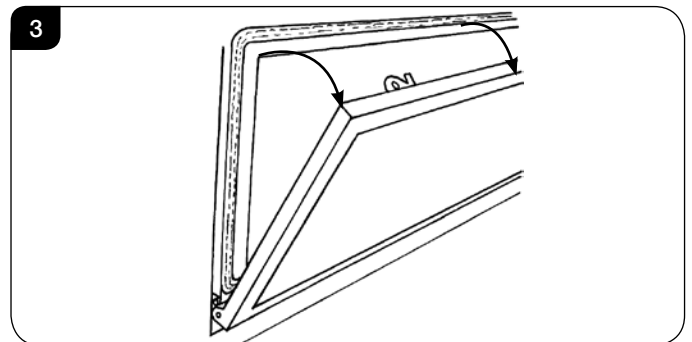
NOTE: THE STEEL FRAME IS HEAVY. TAKE CARE WHEN LIFTING.

3. Window Frame Assembly

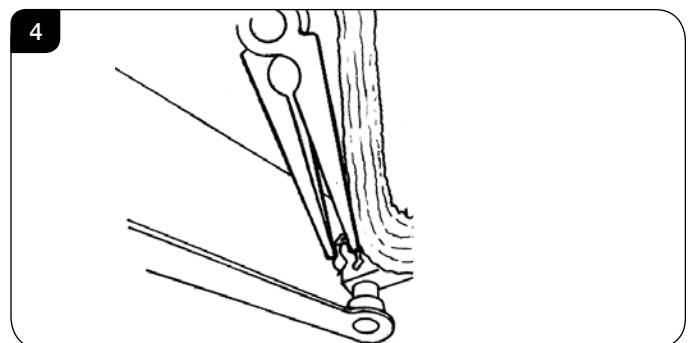
- 3.1 To open the glass door use the hexagon key provided.
- 3.2 Release the window locks by moving them from shut to open towards the outer edges, see Diagram 2.



- 3.3 To completely remove the glass front:
- 3.4 Support the frame and lower it gently forward down to its natural stop position, see Diagram 3.
DO NOT EXERT PRESSURE ON THE DOOR ONCE THERE IS RESISTANCE.



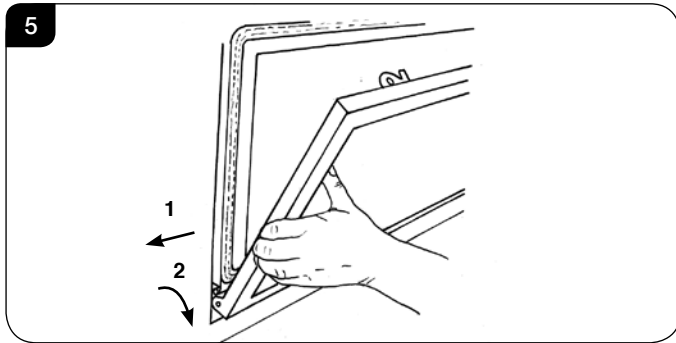
- 3.5 Remove the securing spring clip from the bottom-right of the window frame, see Diagram 4.



Servicing Instructions - Replacing Parts

3.6 With the window frame in an upright position slide the frame to the left so that it comes off the left hinge pin, see Diagram 5 (1).

3.7 Still keeping the frame upright drop the left side down and forward slightly, see Diagram 5 (2).



3.8 Slide the frame to the right so it comes off the right hinge pin. The window frame should now be free.

3.9 Refit the Window Frame Assembly in reverse order.

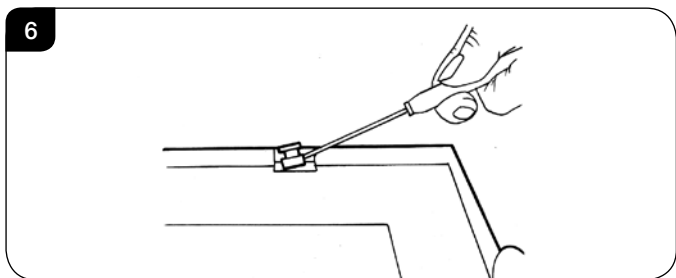
When closing the door ensure the door catches are fully engaged.



UNDER NO CIRCUMSTANCES SHOULD THE APPLIANCE BE USED WITHOUT THE CATCHES HOLDING THE DOOR IN PLACE.

4. Glass Window

4.1 Remove the two clips and brackets from either side of the frame, see Diagram 6.



4.2 Lift the glass clear from the lock bracket at the top of the frame and slide out.

5. Liners

5.1 The Studio appliances have the option of 3 different liner finishes:

Vermiculite
Black Reeded Panels
Black Glass Linings

Vermiculite & Black Reeded

NOTE: ALL FRONT PANELS AND THE STUDIO 3 REAR PANELS ARE IN TWO PIECES.

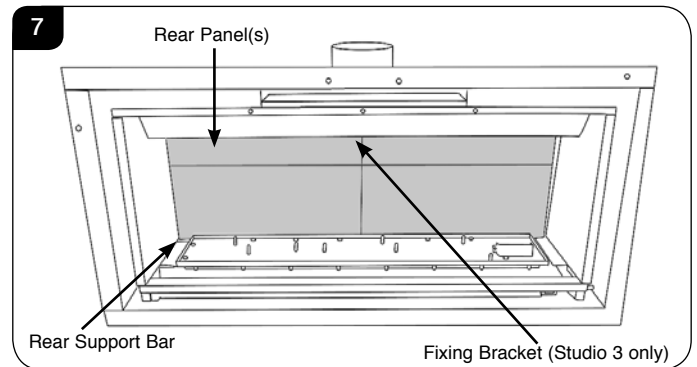
STUDIO 1 & 2: HOLD THE REAR PANELS UNTIL ALL THE OTHER PANELS ARE IN PLACE AS THEY CAN FALL FORWARD.

STUDIO 3 HAS A TOP BRACKET TO SECURE THE PANELS THIS MUST BE REMOVED PRIOR TO ATTEMPTING TO FIT THE REAR PANELS.

5.2 **Studio 2 & 3 Only** - The appliance is supplied with two sets of lower side panels. The shorter set is to be used with vermiculite and black reeded panels.

5.3 Place the rear panel(s) behind the locating bracket on the rear support bar.

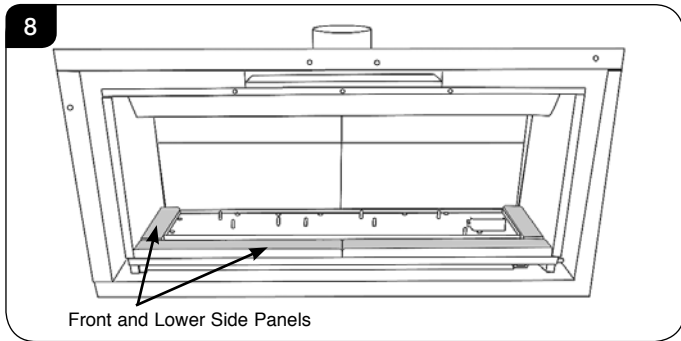
5.4 Centralise the rear panel(s) with the chamfers touching and pushed together, see Diagram 7.



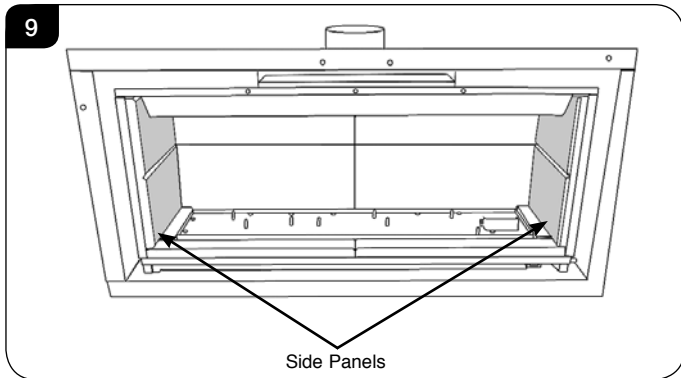
If installing the panels on a Studio 3 model replace the L shaped fixing bracket at the top rear of the firebox to hold the two rear liners in place.

Servicing Instructions - Replacing Parts

- 5.5 Place the lower side and front panels in position so the chamfers meet at the front edge of the burner.
- 5.6 Ensure the 2-piece front panels are engaged against the centre support tags on the burner and are pushed together in the middle, see Diagram 8.



- 5.7 Slide the 2 side panels up to the rear panel, see Diagram 9.



NOTE: THE HORIZONTAL CHAMFERS MUST ALIGN ON THE REAR AND SIDE PIECES.

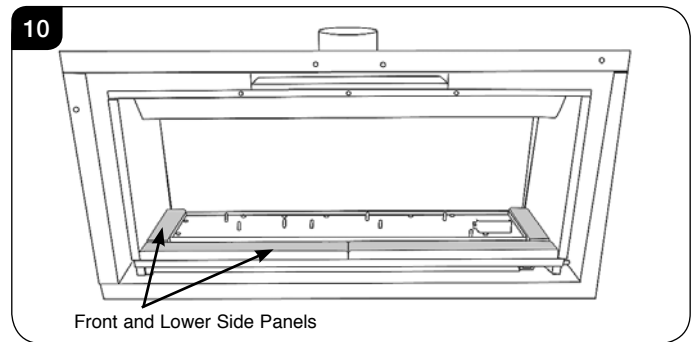
Black Glass

NOTE: ALL REAR PANELS ARE ONE PIECE.

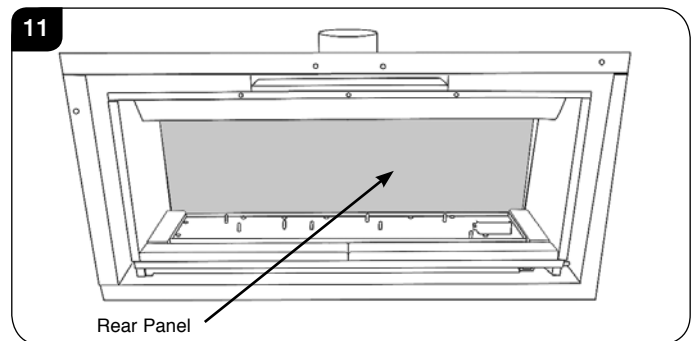
HOLD THE REAR PANEL UNTIL ALL THE OTHER PANELS ARE IN PLACE AS THEY CAN FALL FORWARD.

STUDIO 3 HAS A TOP BRACKET TO SECURE THE PANELS THIS MUST BE REMOVED PRIOR TO ATTEMPTING TO FIT THE REAR PANELS.

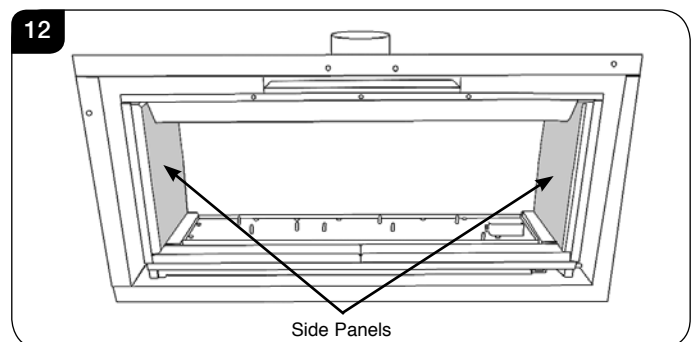
- 5.8 **Studio 2 & 3 Only** - The appliance is supplied with 2 sets of lower side panels. The longer set is to be used with black glass panels.
- 5.9 Place the lower side and front panels in position so the chamfers meet at the front edge of the burner.
- 5.10 Ensure the 2-piece front panels are engaged against the centre support tags on the burner and are pushed together in the middle, see Diagram 10.



- 5.11 Fit and centralise the rear panel, see Diagram 11.



- 5.12 Slide the 2 side panels up to the rear panel, see Diagram 12.

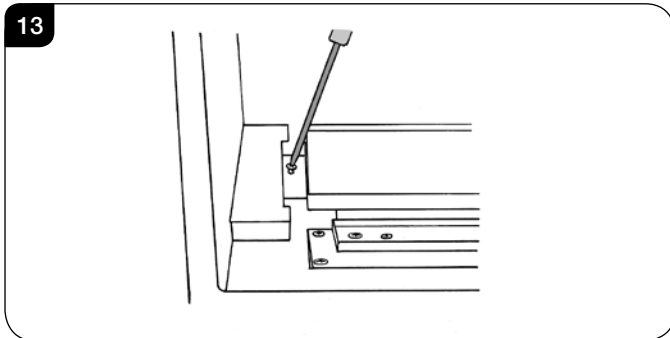


Servicing Instructions - Replacing Parts

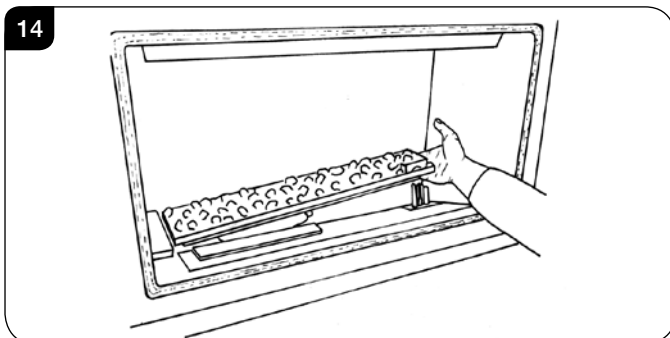
6. Main Burner

To replace the main burner:

- 6.1 Remove the fuel effect from the burner (Stone/Glass Effect/Vermiculite optional).
- 6.2 Remove the lining panels, see Section 5.
- 6.3 Remove the burner securing screw from the left side of the burner, see Diagram 13.



- 6.4 Slide the burner fully to the left and lift the right side clear of the pilot, see Diagram 14.



- 6.5 Slide the burner to the right and out of its location.
- 6.6 Refit in reverse order.
- 6.7 When refilling the fuel effect fill to the level of the rim of the burner tray and flatten level.

TAKE CARE NOT TO SPILL THE EFFECT INTO THE PILOT AREA.

STACK STONES/GLASS EFFECT IN FRONT OF THE PILOT SHIELD TO OBSCURE THE BLACK METAL SHIELD.

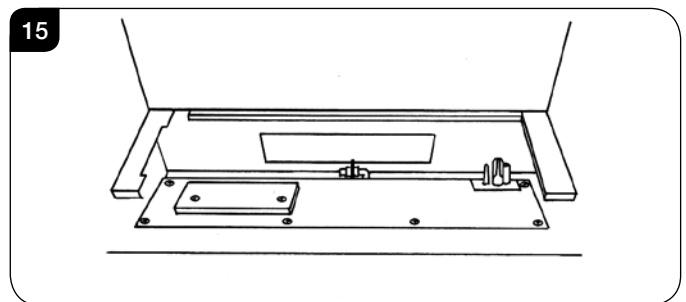
7. Main Control Assembly

- 7.1 To access the main control assembly first remove:

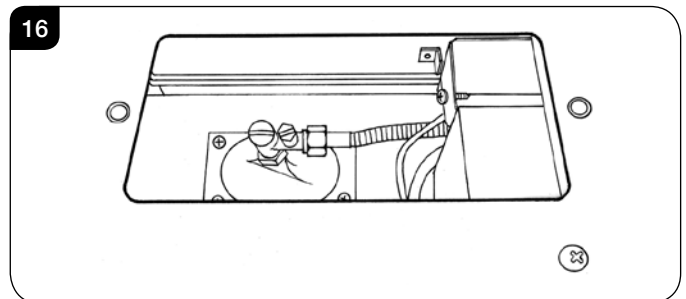
- The decorative frame.
- Window frame.
- Fuel Effect.
- Liner panels.
- Main burner.

To remove the access panel:

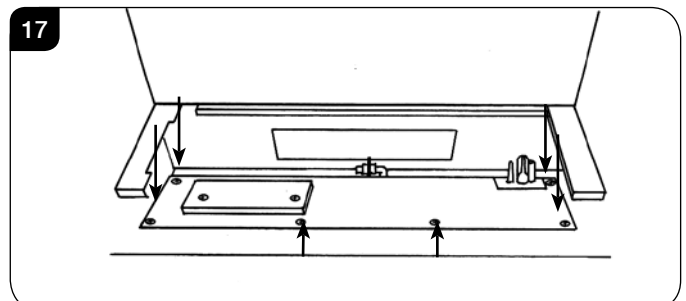
- 7.2 Undo the two screws, see Diagram 15.
- 7.3 **Note the orientation of the access panel with the return edges facing forward.**



- 7.4 Isolate the gas supply at the isolation device and disconnect the gas inlet, see Diagram 16.

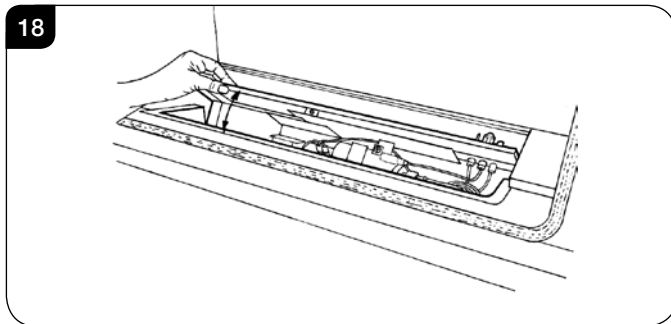


- 7.5 Remove the six screws securing the control assembly, see Diagram 17.

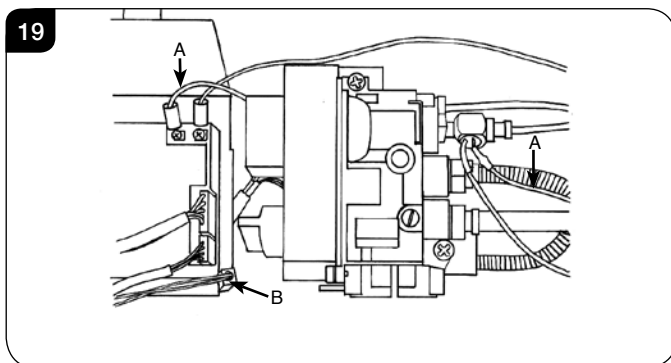


Servicing Instructions - Replacing Parts

7.6 The control panel can now be tilted back to reveal the controls, see Diagram 18.



7.7 Disconnect the two cables marked 'A' in Diagram 19.



7.8 Disconnect the battery extension lead, Diagram 19, B.
The control assembly can now be lifted up and removed.

7.9 Reassemble in reverse order.

8. Pilot Unit



IMPORTANT: UNDER THE TERMS OF THE EXTENDED WARRANTY IT WILL BE COMPULSORY TO CHANGE THE COMPLETE PILOT UNIT ON THIS APPLIANCE IN YEARS 2 AND 4.

The pilot assembly consists of four components, which can be individually changed, these are:

- 8a) Pilot burner bracket.
- 8b) Electode.
- 8c) Pilot Injector.
- 8d) Thermocouple.

8.1 Before commencing work on the pilot the Main Control Assembly must be removed, see Section 7.

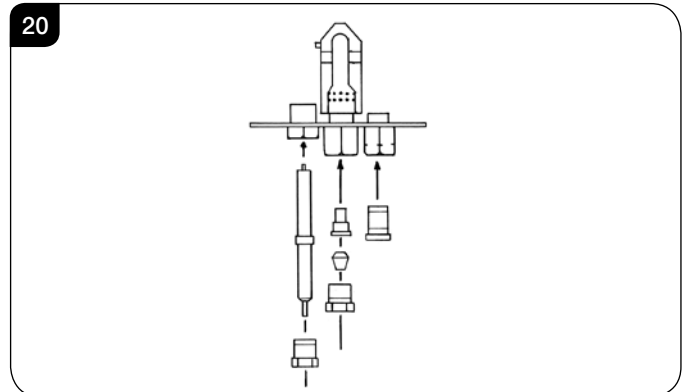
8a. Pilot Burner Bracket

To remove the Pilot Burner Bracket:

- 8.2 **First remove the electrode, pilot pipe and thermocouple, see 8d and 8c.**
- 8.3 Remove the two screws securing the bracket. The pilot burner bracket can now be removed.
- 8.4 Check the pilot gasket and if damaged, replace with a new one.
- 8.5 Replace in reverse order.

8b. Electode

8.6 Pull the ignition lead off the electrode and undo the retaining nut, see Diagram 20.

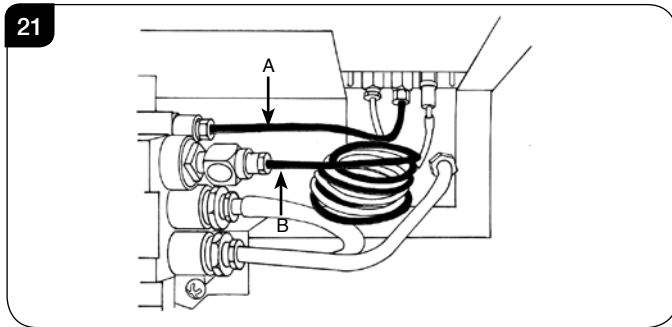


- 8.7 Replace with a new electrode. Do not over-tighten the nut; this could break the component.
- 8.8 Replace the ignition lead.

Servicing Instructions - Replacing Parts

8c. Pilot Injector

- 8.9 Undo the pilot pipe from the gas valve and from the underside of the pilot burner, see Diagram 21 Arrow A, Pilot Connection.



- 8.10 Remove the pipe and the injector drops out from the burner.

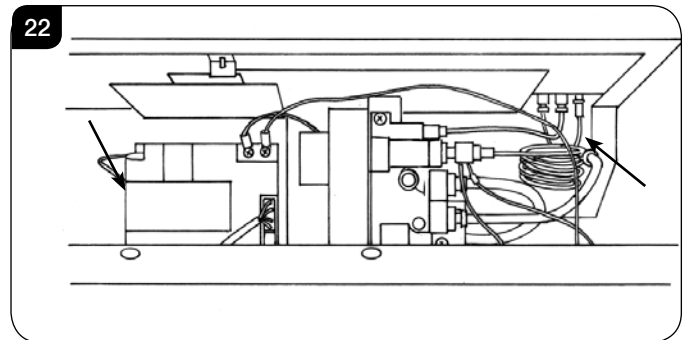
8d. Thermocouple

- 8.11 Disconnect the thermocouple from the gas valve/interrupter, see Diagram 21.
- 8.12 Undo the thermocouple nut in the back of the pilot bracket half a turn. This releases the thermocouple.
- 8.13 When replacing with a new thermocouple, take care to bend the new component to the same shape as the thermocouple just removed.
- 8.14 To refit the thermocouple into the pilot bracket, ensure it is pushed fully into the hole. There is a stop on the thermocouple to set the height.
- 8.15 Lock the retaining nut just enough to grip the thermocouple.
- 8.16 Connect the thermocouple to the valve/interrupter **taking care not to over-tighten.**

9. Ignition Lead

To replace the ignition lead:

- 9.1 Release the Main Control Assembly and tilt backwards, see Section 7.
- 9.2 Remove the ignition lead from the control box, see Diagram 22.



- 9.3 Remove the ignition lead from the electrode, see Diagram 22, removing cable ties where necessary.
- 9.4 **Note the direction of the lead. The new lead must follow exactly the same route. Replace cable ties where necessary.**

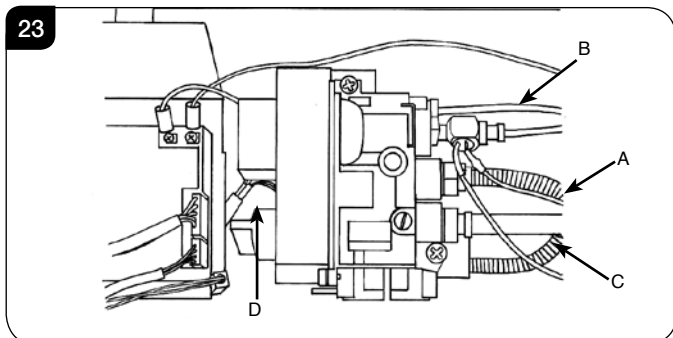
NOTE: THE IGNITION LEAD MUST NOT PASS IN FRONT OF THE CONTROL BOX AS THIS CAN DAMAGE THE SENSITIVE ELECTRONICS.

Servicing Instructions - Replacing Parts

10. Gas Valve

To change the gas valve:

- 10.1 Remove the control assembly (see Section 7 above).
- 10.2 Release the gas inlet pipe, see Diagram 23 Arrow A.



- 10.3 Remove the thermocouple from the interrupter block and release the second thermocurrent cables.
- 10.4 Release the pilot pipe, see Diagram 23, Arrow B.
- 10.5 Release the gas outlet pipe, see Diagram 23 Arrow C.
- 10.6 Remove the wire cable, see Diagram 23, Arrow D.
- 10.7 Remove the two nuts securing the valve to the support bracket and withdraw the valve.
- 10.8 Replace in reverse order.

11. Magnetic Safety Valve

To replace the magnetic safety valve:

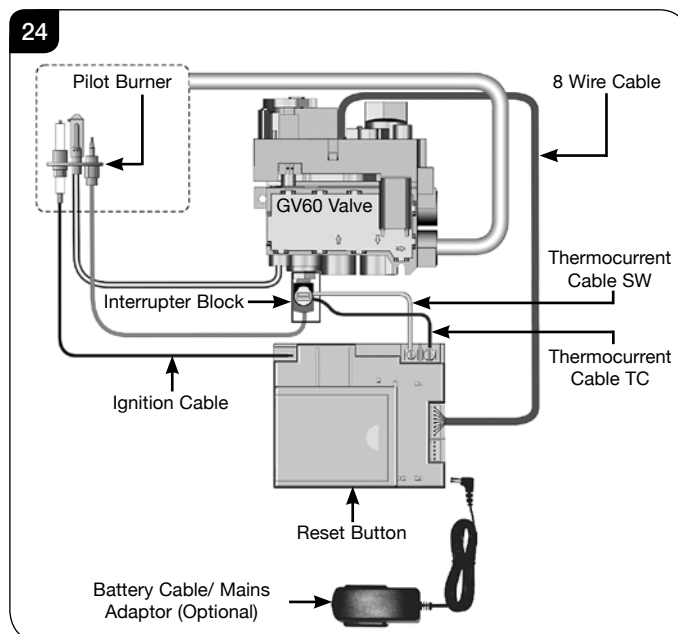
- 11.1 Undo the thermocouple from the interrupter block and remove the two interrupter leads.
- 11.2 Unscrew the interrupter block from the back of the valve.
- 11.3 Undo the silver magnetic valve retaining nut on the back of the valve.
- 11.4 Gently tap out the mag valve.
- 11.5 Replace with a new unit.
- 11.6 Reassemble in reverse order ensuring that the interrupter leads are connected correctly with the red tag lead nearest to the gas valve body.

12. Control Box

- 12.1 To replace the control box first remove the main control assembly, See Section 7.
- 12.2 Remove the two thermocurrent cables by removing the two screws, Diagram 24.
- 12.3 Remove the ignition lead, Diagram 24.
- 12.4 Remove the eight wire loom from the control box.
- 12.5 Remove the battery extension cable, Diagram 24.

The control box can now be replaced.

When replacing the sealing plate on the rear of the control cover use a suitable silicone sealant.



- 12.6 After replacing the control box you may need to reprogram the handset.
 - Press and hold the reset button on the control box until you hear two signals. After the second longer signal:
 - Release the reset button and within 20 seconds:
 - Press the DOWN button on the handset until you hear two additional short signals confirming the new code is set.

If there is a single long signal the code learning sequence has failed or the wiring is incorrect.

13. Main Injector

To change the main injector:

- 13.1 Undo the injector feed pipe.
- 13.2 Undo the lock nut from the injector.
- 13.3 Replace with the correct size injector.

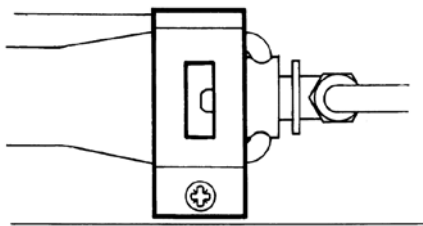
Note: For Studio 3 BF there are 2 main injectors.

14. Primary Aeration Plate

NOT ALL MODELS HAVE AERATION PLATES. REFER TO TECHNICAL SPECIFICATIONS, PAGE 8.

- 14.1 Remove the burner module as described in Servicing, Section 6.
- 14.2 Remove the fixing screw and slide the plate off the venturi.
- 14.3 Replace with the correct size plate and secure with the screw. Ensure the lower edge of the plate is located over the venturi flange, see Diagram 25.

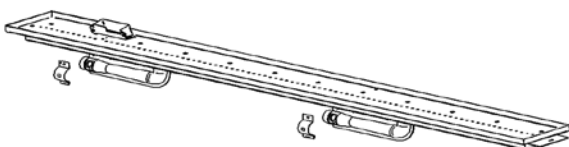
25



Studio 3 BF

The Studio 3 BF has two venturi. Ensure the correct aeration plates are fitted. Aeration plates can vary between left and right hand venturi, see Diagram 26.

26



15. Changing Between Gas Types

In order to change between gas types it will be necessary to change both the burner assembly and the complete control assembly.

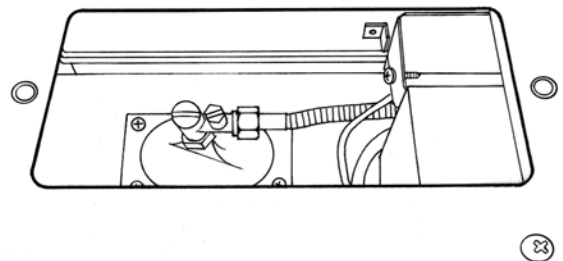
Contact your Gazco retailer for further information.

A kit of parts is available for this. Always quote the Model number and Serial number when ordering any spare parts.

16. Pressure and leak testing the appliance

- 16.1 To gain access to the pressure test point, see Diagram 26 follow Section 7, Main Control Assembly.

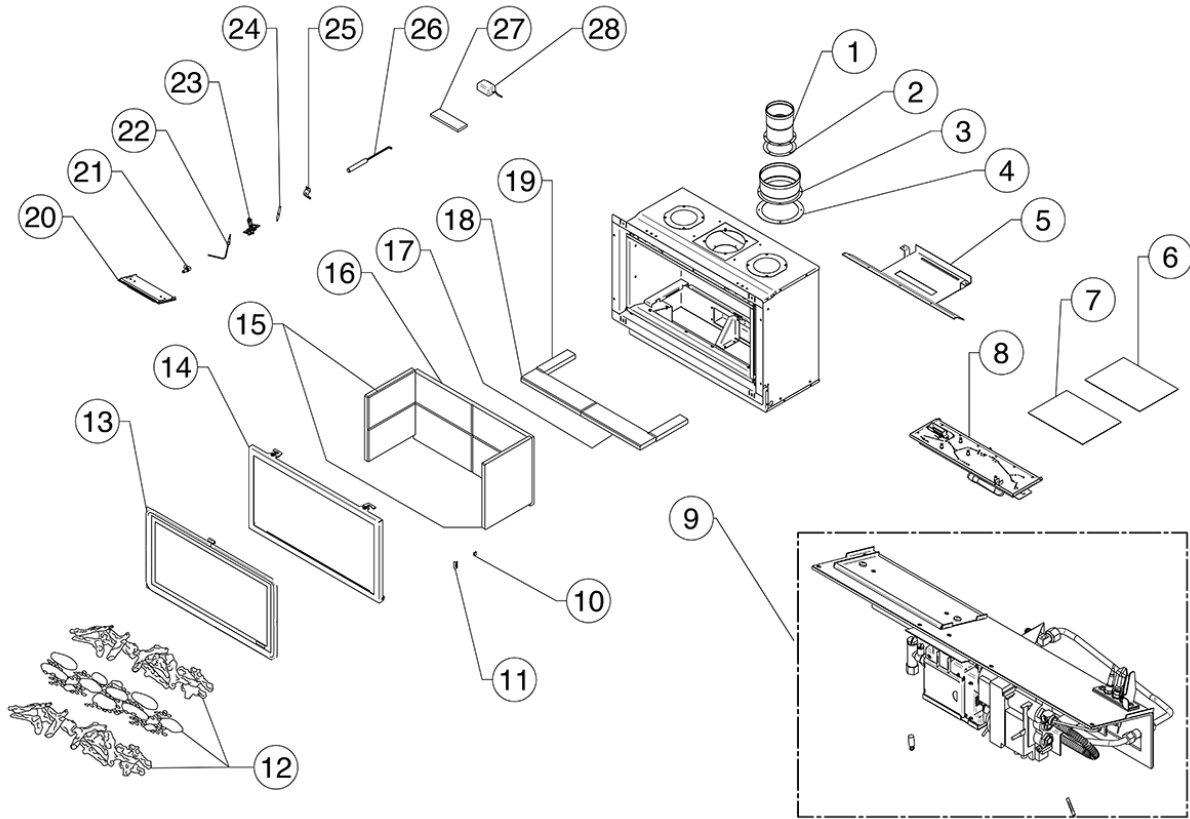
27



- 16.2 To leak test any gas joints on the appliance the control assembly must be undone and tilted backwards, see Section 7.6, Diagram 18.
- 16.3 Because there is now no burner fitted to perform a leak test, place a manometer tube over the injector tip (it is necessary to block both injectors on Studio 3 models).
- 16.4 Light the appliance and spray any joints with leak detector fluid.
- 16.5 Tighten joints or replace as required.
- 16.6 To check the inlet working pressure, replace the control assembly and connect a manometer to the pressure test point, see Diagram 27.
- 16.7 Replace the burner and relight the appliance.
- 16.8 Operate the appliance at highest flame setting and check that the inlet pressure is in accordance with specifications detailed on page 8.

Servicing Instructions - Replacing Parts

17. Spares List - Studio 1



No.	Component	Part Code		Qty.
		Natural Gas	LPG	
1	Inner Spigot	MEC0231		1
2	Inner Flue Spigot Gasket	CE0210		1
3	Outer Spigot	MEC0232		1
4	Outer Flue Spigot Gasket	MEC0211		1
5	Top Baffle	GZ13816		1
6	General Fixing Kit	GZ6567		1
7	Instruction Kit	GZ13801		1
8	Burner Assembly	GZ13817	GZ13820	1
9	Engine Assembly	GZ7611N	GZ7611P	1
10	Black Steel Edge Clip	FA0523		2
11	Glass Clip Bracket	GZ6361		2
12	Log Set	CE1839		1
	Pebble & Stone Set	923-632		1
	Driftwood Set	923-019		1
13	Glass & Ropesal Assembly	GZ8743		1
14	Door Assembly	GZ6284		1
15	Side Panel - Vermiculite LH & RH	CE0679		2
	Side Panel - Black Reed LH & RH	CE1226		2
	Side Panel - Black Glass LH	GZ13081		1
	Side Panel - Black Glass RH	GZ13082		1

No.	Component	Part Code		Qty.
		Natural Gas	LPG	
16	Back Panel - Vermiculite	CE0678		1
	Back Panel - Black Reed	CE1225		1
	Back Panel - Black Glass	GZ13079		1
17	Liner Base Front RH Piece - Black	CE1227		1
18	Liner Base Front LH Piece - Black	CE1224		1
19	Liner Base Side Piece - Black	CE1243		2
20	Control Cover Assembly	GZ6369		1
21	Elbow Injector	IN007 - Size 400	IN0040 - Size 185	1
22	Thermocouple	PI0077		1
23	Pilot	PI0069	PI0070	1
24	Electrode	PI0075		1
25	Aeration Plate	GZ3966 - ID Letter L	GZ3269 - ID Letter C	1
26	Door Tool	GZ6690		1
27	Embaglow	GZ8471		1
28	Mains Adaptor	999-620		1



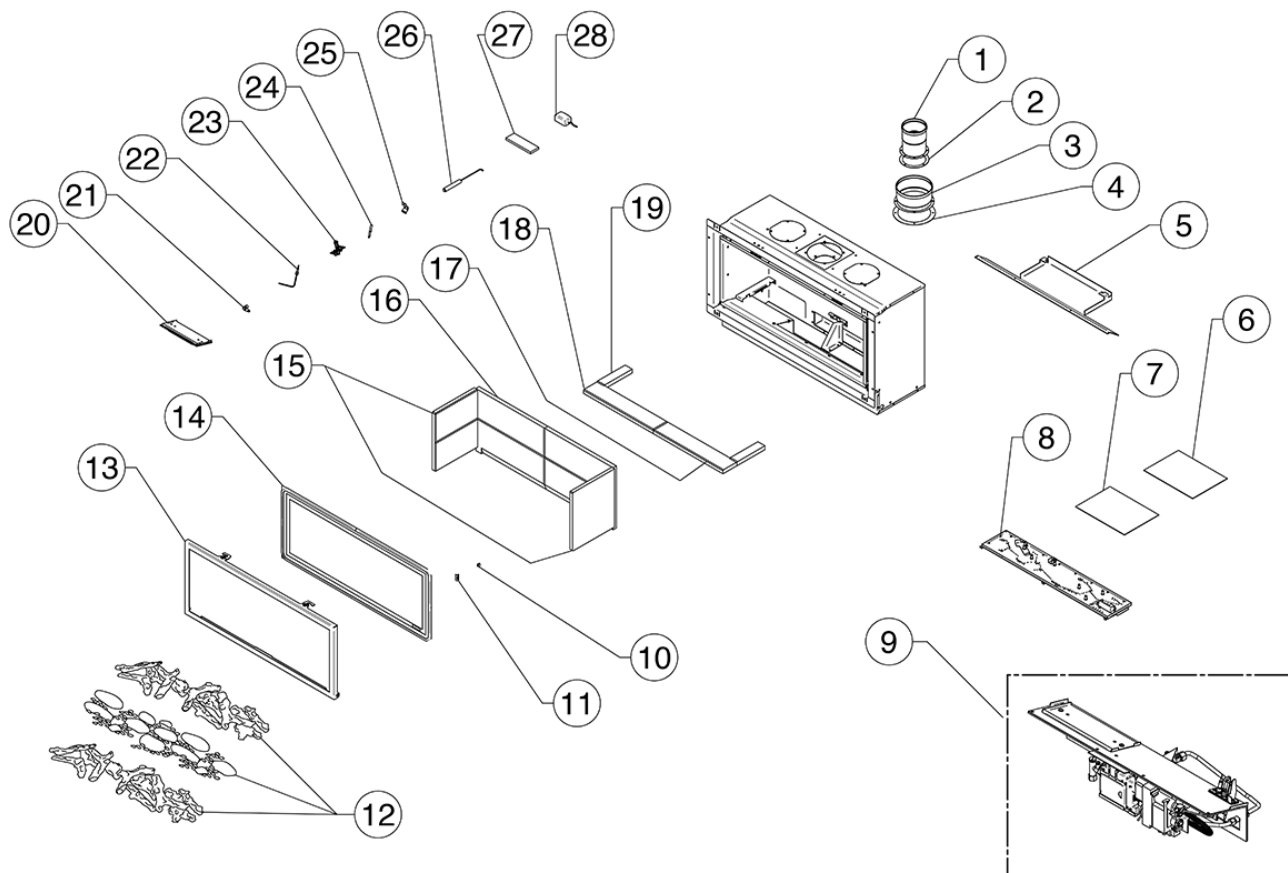
Due to continual technical improvements please check online or with your Gazco retailer for the most up to date parts lists.

Only use Genuine Gazco spares when servicing your appliance.

All of our essential spare parts and consumable items are available to purchase from our webshop at www.gazcospares.com.

Servicing Instructions - Replacing Parts

17. Spares List - Studio 2



No.	Component	Part Code		Qty.
		Natural Gas	LPG	
1	Inner Spigot	MEC0231		1
2	Inner Flue Spigot Gasket	CE0210		1
3	Outer Spigot	MEC0232		1
4	Outer Flue Spigot Gasket	CE0211		1
5	Top Baffle	GZ13802	GZ13807	1
6	General Fixing Kit	GZ6567		1
7	Instruction Kit	GZ13801		1
8	Burner Assembly	GZ13803	GZ13806	1
9	Engine Assembly	GZ7612N	GZ7612P	1
10	Black Steel Edge Clip	FA0523		2
11	Glass Clip Bracket	GZ6361		2
12	Log Set	CE1840		1
	Pebble & Stone Set	923-665		1
	Driftwood Set	923-037		1
13	Glass & Ropeséal Assembly	GZ7353		1
14	Door Assembly	GZ7130		1
15	Side Panel - Vermiculite LH & RH	CE0679		2
	Side Panel - Black Reed LH & RH	CE1226		2
	Side Panel - Black Glass LH	GZ13096		1
	Side Panel - Black Glass RH	GZ13097		1

No.	Component	Part Code		Qty.
		Natural Gas	LPG	
16	Back Panel - Vermiculite LH	CE0690		1
	Back Panel - Black Reed LH	CE1234		1
	Back Panel - Black Glass (Full Width)	GZ13094		1
	Back Panel - Vermiculite RH	CE0727		1
	Back Panel - Black Reed RH	CE1235		1
17	Liner Base Front RH Piece - Black	CE1237		1
18	Liner Base Front LH Piece - Black	CE1233		1
19	Liner Base Side Piece - Black	CE1243		2
	Liner Base Side Piece - Black Glass	CE1614		2
20	Control Cover Assembly	GZ6035		1
21	Elbow Injector	IN0005 - Size 600	IN0058 - Size 150	1
22	Thermocouple	PI0077		1
23	Pilot	PI0069	PI0070	1
24	Electrode	PI0075		1
25	Aeration Plate	GZ3867 - ID Letter H	GZ5427 - ID Letter N	1
26	Door Tool	GZ6690		1
27	Embaglow	GZ8471		1
28	Mains Adaptor	999-620		1



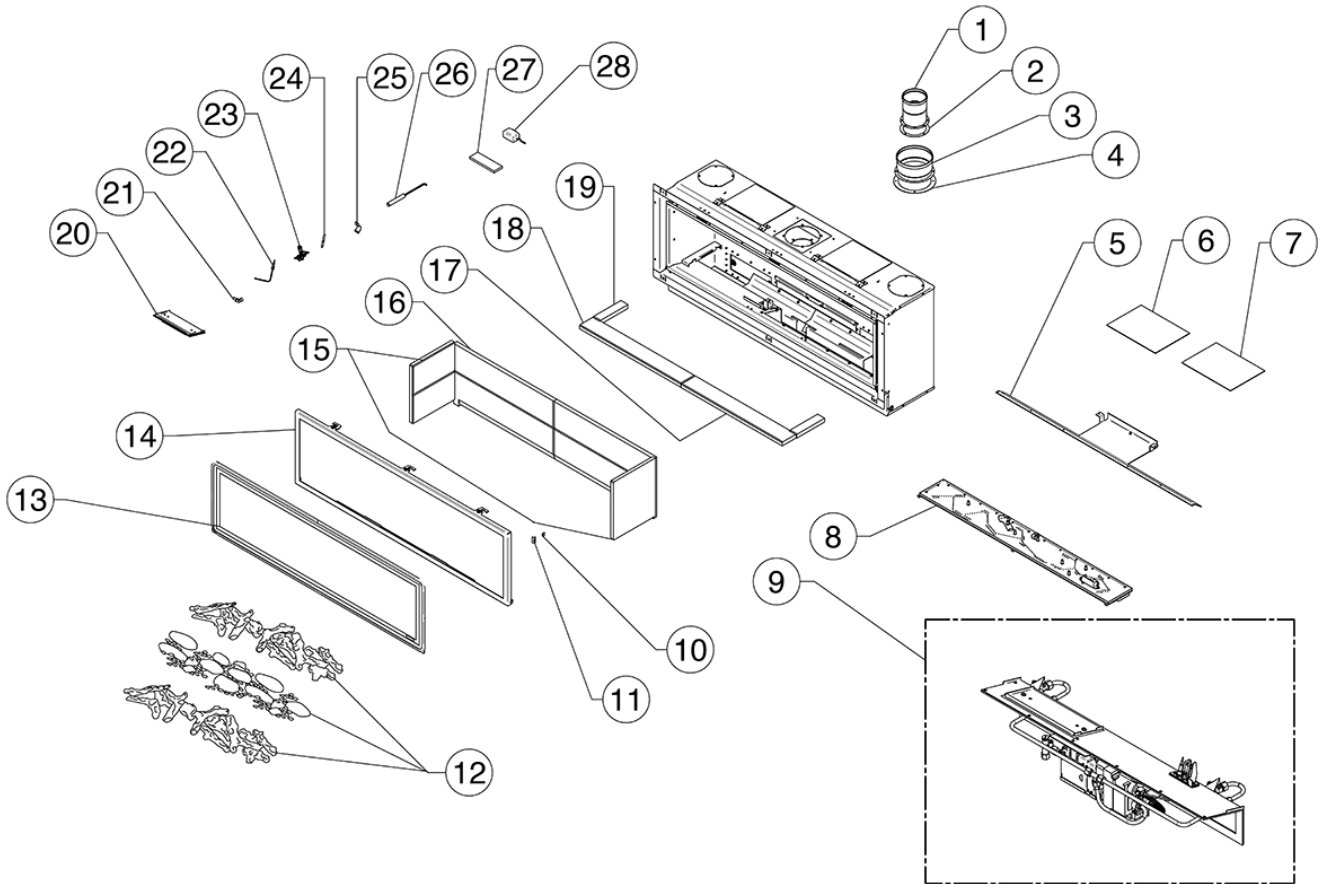
Due to continual technical improvements please check online or with your Gazco retailer for the most up to date parts lists.

Only use Genuine Gazco spares when servicing your appliance.

All of our essential spare parts and consumable items are available to purchase from our webshop at www.gazcospares.com.

Servicing Instructions - Replacing Parts

17. Spares List - Studio 3



No.	Component	Part Code		Qty.
		Natural Gas	LPG	
1	Inner Spigot	MEC0231		1
2	Inner Flue Spigot Gasket	CE0210		1
3	Outer Spigot	MEC0232		1
4	Outer Flue Spigot Gasket	CE0211		1
5	Top Baffle	GZ7075		1
6	General Fixing Kit	GZ6567		1
7	Instruction Kit	GZ13801		1
8	Burner Assembly	GZ13810	GZ13813	1
9	Engine Assembly	GZ8078N	GZ8078P	1
10	Black Steel Edge Clip	FA0523		2
11	Glass Clip Bracket	GZ6361		2
12	Log Set	CE1770		1
	Pebble & Stone Set	923-686		1
	Driftwood Set	923-121		1
13	Glass & Ropesal Assembly	GZ8006		1
14	Door Assembly	GZ7073		1
15	Side Panel - Vermiculite LH & RH	CE0679		2
	Side Panel - Black Reed LH & RH	CE1226		2
	Side Panel - Black Glass LH	GZ13096		1
	Side Panel - Black Glass RH	GZ13097		1

No.	Component	Part Code		Qty.
		Natural Gas	LPG	
16	Back Panel - Vermiculite LH Piece	CE0738		1
	Back Panel - Vermiculite RH Piece	CE0735		1
16	Back Panel - Black Reed LH Piece	CE1239		1
	Back Panel - Black Reed RH Piece	CE1240		1
	Back Panel - Black Glass	GZ13830		1
17	Liner Base Front RH Piece - Black	CE1242		1
18	Liner Base Front LH Piece - Black	CE1238		1
19	Liner Base Side Piece - Black	CE1243		2
	Liner Base Side Piece - Black Glass	CE1614		2
20	Control Cover Assembly	GZ6369		1
21	Elbow Injector	IN0061 - Size 184	IN0055 - Size 125	2
22	Thermocouple	PI0077		1
23	Pilot	PI0069	PI0070	1
24	Electrode	PI0075		1
25	Aeration Plate	GZ5427 - ID Letter N	GZ3966 - ID Letter L	2
26	Door Tool	GZ6690		1
27	Embaglow	GZ8471		1
28	Mains Adaptor	999-620		1



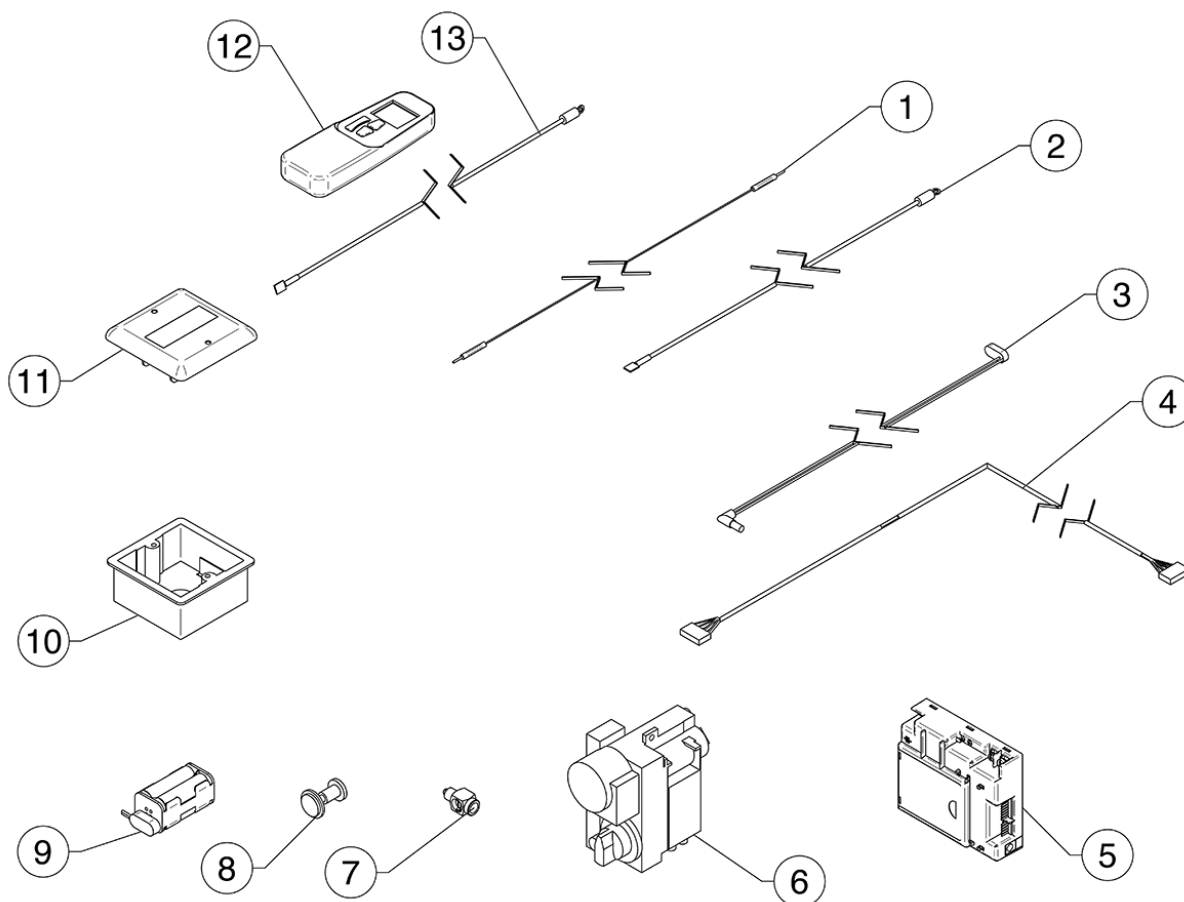
Due to continual technical improvements please check online or with your Gazco retailer for the most up to date parts lists.

Only use Genuine Gazco spares when servicing your appliance.

All of our essential spare parts and consumable items are available to purchase from our webshop at www.gazcospares.com.

Servicing Instructions - Replacing Parts

17. Spares List - Control Assembly



No.	Component	Part Code	Qty.
1	Ignition Cable	GC0125	1
2	Thermo-Current Cable	GC0136	1
3	3m Battery Cable	GC0138	1
4	360mm Connection Cable	GC0133	1
5	Receiver	EL0589	1
6	Gas Valve	GC0123K	1
7	Interrupter Block	GC0124	1
8	Mag Unit	GC0166	1
9	Battery Holder	EL0410	1
10	Wall Box	EL0409	1
11	Battery Access Cover	EL0591	1
12	Handset	EL0571	1
13	Thermo-Current Cable	EL0590	1



Due to continual technical improvements please check online or with your Gazco retailer for the most up to date parts lists.

Only use Genuine Gazco spares when servicing your appliance.

All of our essential spare parts and consumable items are available to purchase from our webshop at www.gazcospares.com.

Service Records

1ST SERVICE

Date of Service:.....
Next Service Due:.....
Signed:.....
Retailer's Stamp/GasSafe Registration Number

3RD SERVICE

Date of Service:.....
Next Service Due:.....
Signed:.....
Retailer's Stamp/GasSafe Registration Number

5TH SERVICE

Date of Service:.....
Next Service Due:.....
Signed:.....
Retailer's Stamp/GasSafe Registration Number

7TH SERVICE

Date of Service:.....
Next Service Due:.....
Signed:.....
Retailer's Stamp/GasSafe Registration Number

9TH SERVICE

Date of Service:.....
Next Service Due:.....
Signed:.....
Retailer's Stamp/GasSafe Registration Number

2ND SERVICE

Date of Service:.....
Next Service Due:.....
Signed:.....
Retailer's Stamp/GasSafe Registration Number

4TH SERVICE

Date of Service:.....
Next Service Due:.....
Signed:.....
Retailer's Stamp/GasSafe Registration Number

6TH SERVICE

Date of Service:.....
Next Service Due:.....
Signed:.....
Retailer's Stamp/GasSafe Registration Number

8TH SERVICE

Date of Service:.....
Next Service Due:.....
Signed:.....
Retailer's Stamp/GasSafe Registration Number

10TH SERVICE

Date of Service:.....
Next Service Due:.....
Signed:.....
Retailer's Stamp/GasSafe Registration Number

Information Requirement - Gas Heaters

Information Requirement for Gaseous Fuel Local Space Heater

Model		Studio 1 MkII BF NG	Studio 1 MkII BF LPG	Studio 2 MkII BF NG	Studio 2 MkII BF LPG	Studio 3 MkII BF NG	Studio 3 MkII BF NG
Fuel	Space Heating Emissions (NOx) - mg / kWh _{input} (GCV)	130	130	130	130	130	130

Heat Output	Nominal Heat Output - P_{nom}	5.2kW	5.3kW	7.0kW	6.8kW	8.4kW	8.9kW
	Minimum Heat Output (indicative) - P_{min}	3.0kW	3.0kW	3.3kW	3.3kW	3.8kW	3.8kW

Auxiliary Electricity Consumption	At Nominal Heat Output - $e_{l,max}$	N/A	N/A	N/A	N/A	N/A	N/A
	At Minimum Heat Output - $e_{l,min}$	N/A	N/A	N/A	N/A	N/A	N/A
	In Standby Mode - $e_{l,SB}$	N/A	N/A	N/A	N/A	N/A	N/A

Useful Efficiency (NCV)	Useful Efficiency at nominal heat output - $\eta_{th,nom}$	92.0%	92.0%	92.0%	92.0%	92.0%	92.0%
	Useful Efficiency at minimum heat output (indicative) - $\eta_{th,min}$	82.0%	82.0%	82.0%	82.0%	82.0%	82.0%

Permanent Pilot Flame Power requirement	Permanent Pilot Flame Power requirement (if applicable) - P_{pilot}	N/A	N/A	N/A	N/A	N/A	N/A
--	---	-----	-----	-----	-----	-----	-----

Type of heat output/room temperature control

Electronic room temperature control + day timer	Yes	Yes	Yes	Yes	Yes	Yes
---	-----	-----	-----	-----	-----	-----

Other control options (multiple selections possible)

Room temperature control, with presence detection	No	No	No	No	No	No
Room temperature control, with open window detection	No	No	No	No	No	No
With distance control option	No	No	No	No	No	No
With adaptive start control	No	No	No	No	No	No
With working time limitation	No	No	No	No	No	No
With black bulb sensor	No	No	No	No	No	No

Energy Efficiency Index	88.0%	88.0%	88.0%	88.0%	88.0%	88.0%
Energy Efficiency Class	A	A	A	A	A	A

Contact:	Gazco Ltd, Osprey Road, Sowton Industrial Estate, Exeter, EX2 7JG
-----------------	---

Gazco Limited, Osprey Road, Sowton Industrial Estate, Exeter, Devon, England EX2 7JG
Technical Customer Services: (01392) 261950 Fax: (01392) 261951
E-mail: technicalservices@gazco.com

A member of the Stovax Group

E & O E